



Leaders in Reception Seating

Lesro Industries, Inc.
1 Griffin Road South
Bloomfield, CT
06002

Phone
860.243.3226
Fax
860.243.5392
www.lesro.com

Assembly Instructions For Amherst Hip Chair Footrest

Tools required: Phillips screwdriver

Note: These instructions are intended for various models and configurations. Your chair may not look exactly as shown in the diagrams.

Recommendation: Retighten all screws on a seasonal basis to ensure your product remains strong and stable for many years of use.

Weight Capacity: 275 lbs. for Guest, 400 lbs. for Oversize

Parts List

Footrest Tube

Hardware Pack

1" Phillips Screws, 4 pcs.



1. Assemble chair completely according to separate chair instructions before attaching footrest. Be sure that seat and back cushions are fully engaged and interlocking wedges are correctly locked.
2. Attach footrest tube to back surface of front legs using Phillips screws into pre-drilled holes, as shown in figures 1 and 2. Tighten screws securely using care not to strip.
3. Your hip chair is now assembled and ready to use.

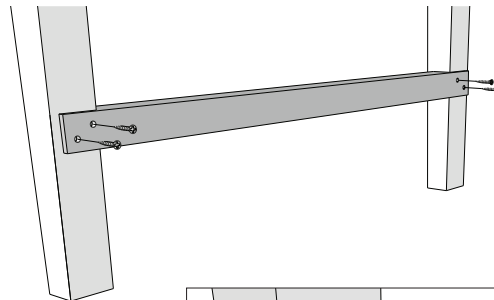


Figure 1

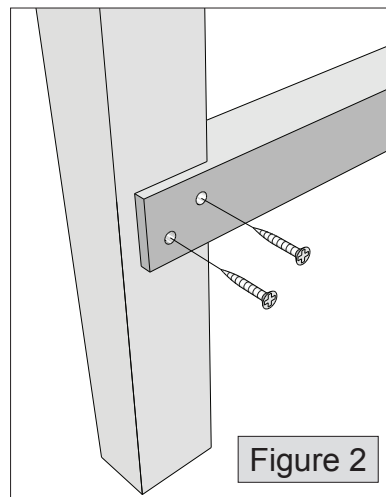


Figure 2

Thank you for purchasing a Lesro product.
Need assistance with assembly? Call Lesro customer service 1-800-275-7545.
Visit us on-line at www.lesro.com