



Leaders in Reception Seating

Lesro Industries, Inc.
1 Griffin Road South
Bloomfield, CT
06002

Phone 860.243.3226
Fax 860.243.5392
www.lesro.com

Assembly Instructions For Amherst Hip Chair Footrest

Tools required: Phillips screwdriver

Note: These instructions are intended for various models and configurations. Your chair may not look exactly as shown in the diagrams.

Recommendation: Retighten all screws on a seasonal basis to ensure your product remains strong and stable for many years of use.

Weight Capacity: 275 lbs. for Guest, 400 lbs. for Oversize

Parts List

Footrest Tube

Hardware Pack

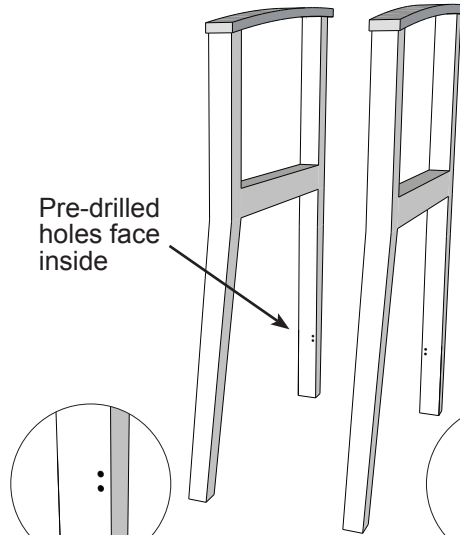
1" Phillips Screws, 4 pcs.

Important Note:

Oversize Hip Chairs have designated LEFT and RIGHT leg frames. Be sure that the pre-drilled footrest holes are on the inside, as shown in figure 1

1. Assemble chair completely according to separate chair instructions before attaching footrest. Be sure to orient left and right frames correctly, as shown in figure 1.
2. Attach footrest tube to back surface of front legs using Phillips screws into pre-drilled holes, as shown in figures 2 and 3. Tighten screws securely using care not to strip.
3. Your hip chair is now assembled and ready to use.

Pre-drilled holes face inside



Left frame

Figure 1

Right frame

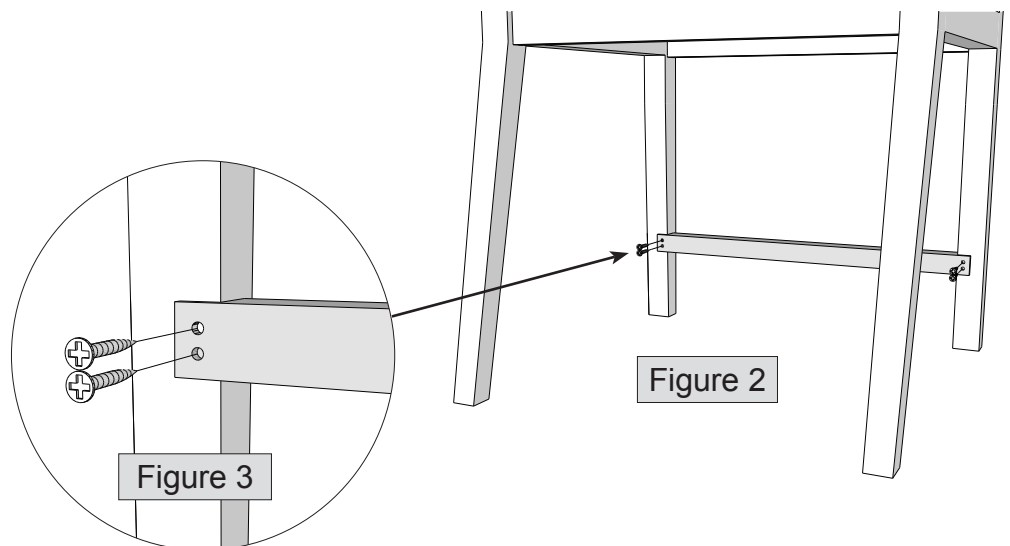


Figure 2

Figure 3

Thank you for purchasing a Lesro product.
Need assistance with assembly? Call Lesro customer service 1-800-275-7545.
Visit us on-line at www.lesro.com