



Leaders in Reception Seating

Lesro Industries, Inc.
1 Griffin Road South
Bloomfield, CT
06002

Phone
860.243.3226
Fax
860.243.5392
www.lesro.com

Assembly Instructions For Amherst and Brooklyn Benches

Tools required: Slotted screwdriver, Allen wrench (included in hardware pack)

Note: These instructions are intended for various models and configurations. Your product may not look exactly as shown in the diagrams.

Recommendation: Retighten all bolts on a seasonal basis to ensure your product remains strong and stable for many years of use.

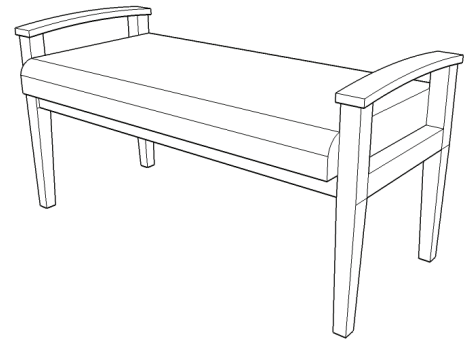
Weight Capacity: 550 lbs. for 2-seat benches and 650 lbs. for 3-seat benches.

Parts List

Seat Cushion
Leg Frames, 2 pcs.

Hardware Pack

1 ¼" Allen Bolts, 6 pcs.
Barrel Nuts, 6 pcs.
Allen Wrench



Note
Orientation
of Slot

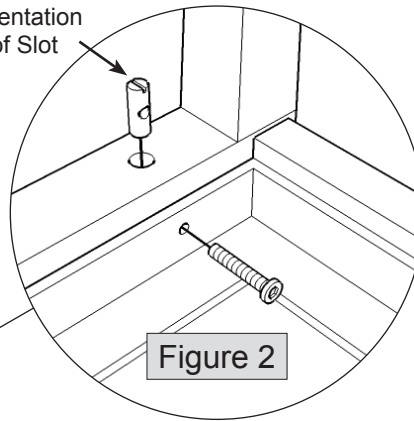


Figure 2

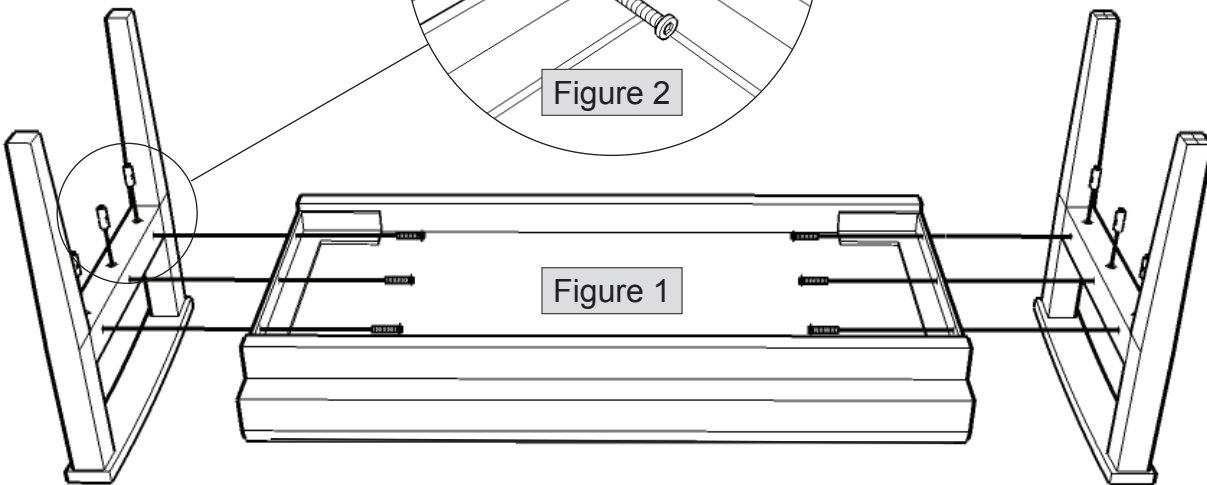


Figure 1

1. Unpack and identify all parts. Note: Leg frames are interchangeable - no left or right.
2. Place seat cushion face-down on a clean table with the ends hanging over the edge.
3. Insert barrel nuts in leg frames, as shown in figures 1 and 2. Push to bottom of holes
4. Align slots in barrel nuts with bolts, using a slotted screwdriver if necessary.
5. Attach leg frames to seat cushion using 1 ¼" Allen bolts. Tighten securely.
6. Your product is now assembled and ready to use.

Thank you for purchasing a Lesro product.
Need assistance with assembly? Call Lesro customer service 1-800-275-7545.
Visit us on-line at www.lesro.com