



Leaders in Reception Seating

Lesro Industries, Inc.
1 Griffin Road South
Bloomfield, CT
06002

Phone
860.243.3226
Fax
860.243.5392
www.lesro.com

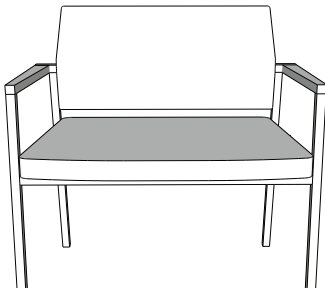
Assembly Instructions For Avon Bariatric and Loveseat

Tools required: Allen wrench (included in hardware pack)

Note: These instructions are intended for various models and configurations. Your products may not look exactly as those shown in the diagrams.

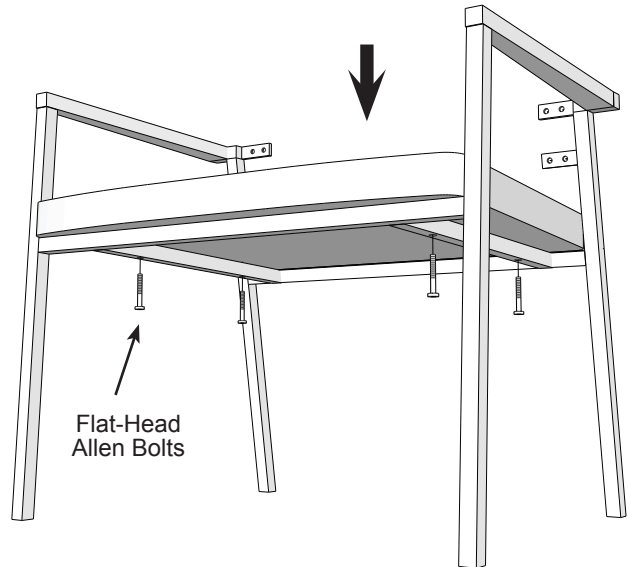
Recommendation: Retighten all bolts on a seasonal basis to ensure your product remains strong and stable for many years of use.

Weight Capacity: Bariatric chairs in this series have a weight capacity of **750 lbs.** Loveseats in this series have a weight capacity of **550 lbs.**

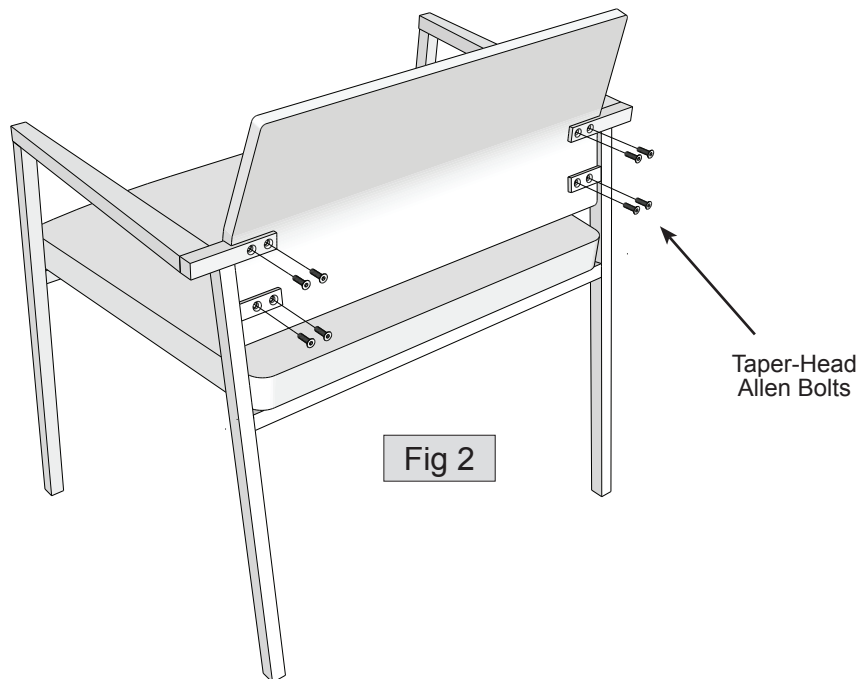


Hardware Pack

1" Taper-head Allen Bolts , 8 pcs.
1 1/2" Flat-head Allen Bolts, 4 pcs.
Allen Wrench



1. Unpack and identify all parts.
2. Attach the seat to the chair frame using 4 flat-head Allen bolts into threaded inserts, as shown in figure 1. Center the seat so that the gaps between the seat and the front leg tubes are equal on both sides. Tighten bolts securely.
3. Position back as shown in figure 2 and attach using 8 taper-head Allen bolts into threaded inserts, as shown in figure 3. Tighten bolts securely only after all 8 have been started.
4. Your chair is now ready to use.



Thank you for purchasing a Lesro product.
Need assistance with assembly? Call Lesro customer service 1-800-275-7545.
Visit us on-line at www.lesro.com