



Leaders in Reception Seating

Lesro Industries, Inc.
1 Griffin Road South
Bloomfield, CT
06002

P: 860.243.3226
F: 860.243.5392

www.lesro.com

Assembly Instructions For Avon End Tables

Tools required: Allen wrench. (Included in hardware pack)

Note: These instructions are intended for various models and configurations. Your products may not look exactly as those shown in the diagrams.

Important: The assembly process requires that some hardware be kept loose until later in the sequence. Follow these instructions closely to ensure correct assembly.

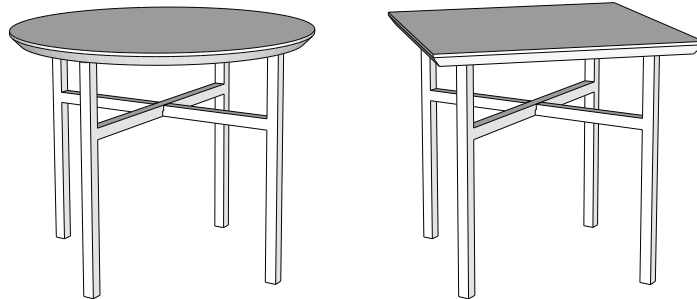
Recommendation: Retighten all bolts on a seasonal basis to ensure your product remains strong and stable for many years of use.

Parts List

Tabletop
Leg Frame, Upper
Leg Frame, Lower

Hardware Pack

3/4" Allen Bolts , 8 pcs.
Allen Wrench



Upper
leg frame

Fig 1

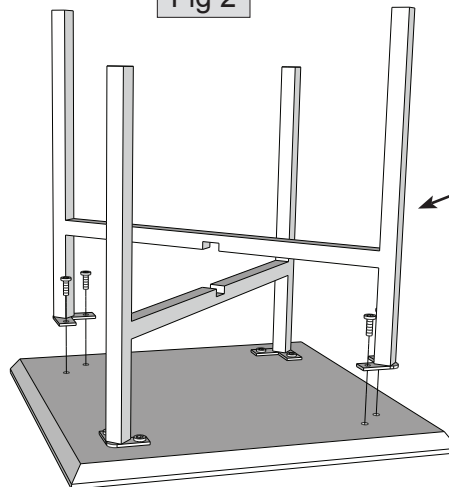
Slot must face up

Allen bolts

1. Unpack and identify all parts.
2. Place tabletop face down on a clean, carpeted or otherwise protected surface to avoid scratching.
3. Attach Upper Leg Frame to tabletop using 3/4" Allen bolts, as shown in figure 1. Upper Leg Frame has slot in cross tube that faces up. Keep bolts slightly loose for now.
4. Align slot in Lower Leg Frame with slot in Upper Leg Frame and attach to tabletop using 3/4" Allen bolts, as shown in figure 2. Tighten all 8 bolts securely.
5. Carefully return table to the upright position.
6. Your table is now assembled and ready to use.

Fig 2

Lower
leg frame



Thank you for purchasing a Lesro product.
Need assistance with assembly? Call Lesro customer service 1.800.275.7545
Visit us online at www.lesro.com