



Leaders in Reception Seating

Lesro Industries, Inc.  
55 Peters Road  
Bloomfield, CT  
06002

Phone  
860.243.3226  
Fax  
860.243.5392  
www.lesro.com

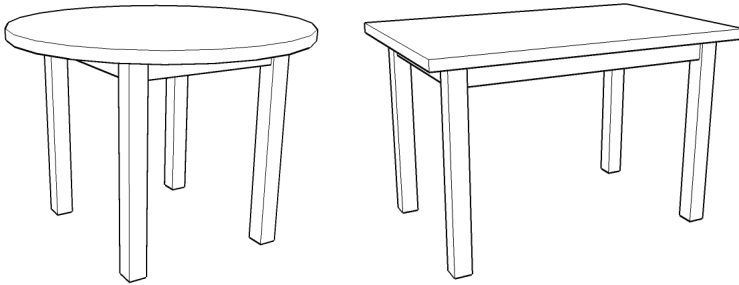
## Assembly Instructions For 4-Post Conference Tables

**Tools required:** Socket wrench

**Note:** These instructions are intended for various round and rectangular models and configurations. Your product may not look exactly as shown in the diagrams.

**Recommendation:** Retighten all screws on a seasonal basis to ensure your product remains strong and stable for many years of use.

**Weight Capacity:** These tables are not intended for use as seats.



### Parts List

Tabletop  
Legs, 4 pcs.

### Hardware Pack

3" Hex Screws, 4 pcs.  
Washers, 4 pcs.

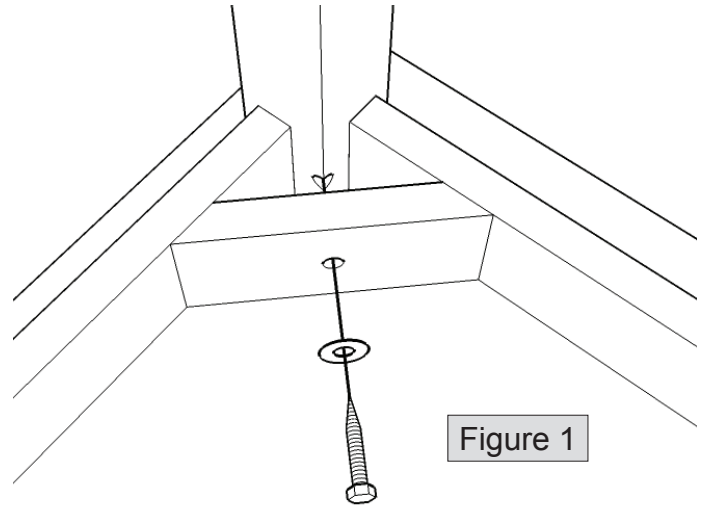


Figure 1

1. Unpack and identify all parts.
2. Place the tabletop upside down on a soft, clean surface to prevent scratches.
3. Attach each leg to the tabletop by inserting a hex screw with washer through the frame into pre-drilled hole in leg, as shown in the figures.
4. Before tightening screws, be sure each leg is aligned squarely with the frame opening and is pressed firmly against the tabletop
5. Tighten all screws firmly using care not to strip.
6. Using 2 or more people, carefully flip table to upright position. Your product is now assembled and ready to use.

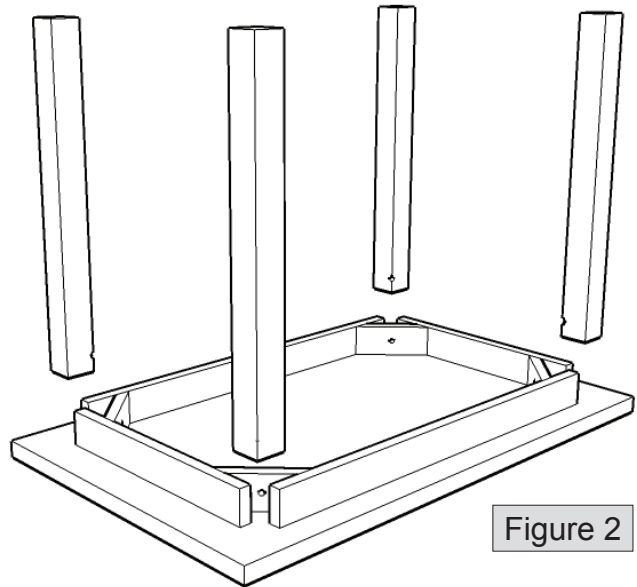


Figure 2

**WARNING:** Do not place a glass top on this table as it may cause warping and cracks. Doing so will void the warranty.

Thank you for purchasing a Lesro product.  
Need assistance with assembly? Call Lesro customer service 1-800-275-7545.  
Visit us on-line at [www.lesro.com](http://www.lesro.com)