



Leaders in Reception Seating

Lesro Industries, Inc.  
55 Peters Road  
Bloomfield, CT  
06002

Phone 860.243.3226  
Fax 860.243.5392  
www.lesro.com

# Assembly Instructions For Curved Panel Base Conference Tables

**Tools required:** Allen wrench (included in hardware pack)

**Note:** These instructions are intended for various round and oval models and configurations. Your product may not look exactly as shown in the diagrams.

**Recommendation:** Retighten all bolts on a seasonal basis to ensure your product remains strong and stable for many years of use.

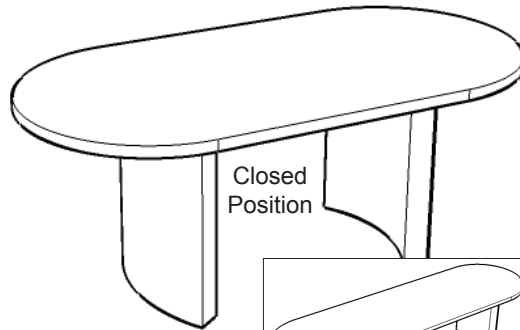
**Weight Capacity:** These tables are not intended for use as seats.

## Parts List

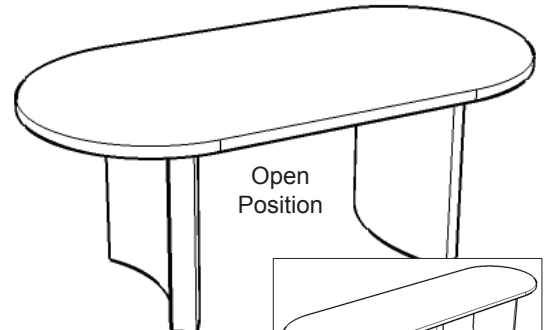
Tabletop  
Curved Panel Bases, 2 pcs.  
Straight Panel Base (for  
120" tables only)

## Hardware Pack

1 1/4" Allen Bolts, 12 pcs.  
Allen Wrench



Closed  
Position



Open  
Position

1. Unpack and identify all parts.
2. Place the tabletop upside down on a soft, clean surface to prevent scratches.
3. Note: The panel bases can be attached in the "Closed Position" or the "Open Position," as shown in the figures above.
4. Attach panel bases to the tabletop using Allen bolts into threaded inserts as shown in figure 1. To insure proper alignment, do not tighten bolts until all 6 are started.
5. Optional: If you purchased the 120" table, a straight panel base and 6 additional Allen bolts have been included for attachment in the center position, as shown in figure 2.
6. Tighten all bolts securely at this time.
7. Using 2 or more people, carefully flip table to upright position. Your product is now assembled and ready to use.

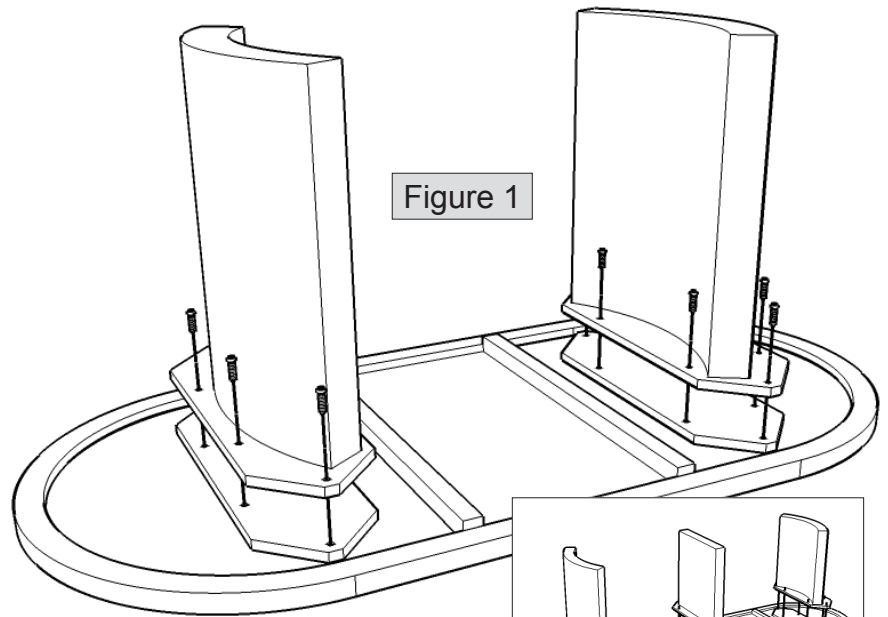


Figure 1

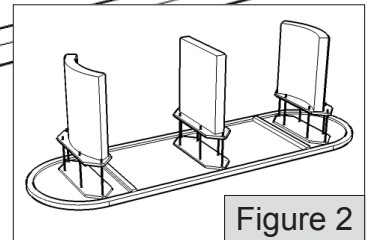


Figure 2

**WARNING:** Do not place a glass top on this table as it may cause warping and cracks. Doing so will void the warranty.

Thank you for purchasing a Lesro product.  
Need assistance with assembly? Call Lesro customer service 1-800-275-7545.  
Visit us on-line at [www.lesro.com](http://www.lesro.com)