



Leaders in Reception Seating

Lesro Industries, Inc.  
55 Peters Road  
Bloomfield, CT  
06002

Phone 860.243.3226  
Fax 860.243.5392  
www.lesro.com

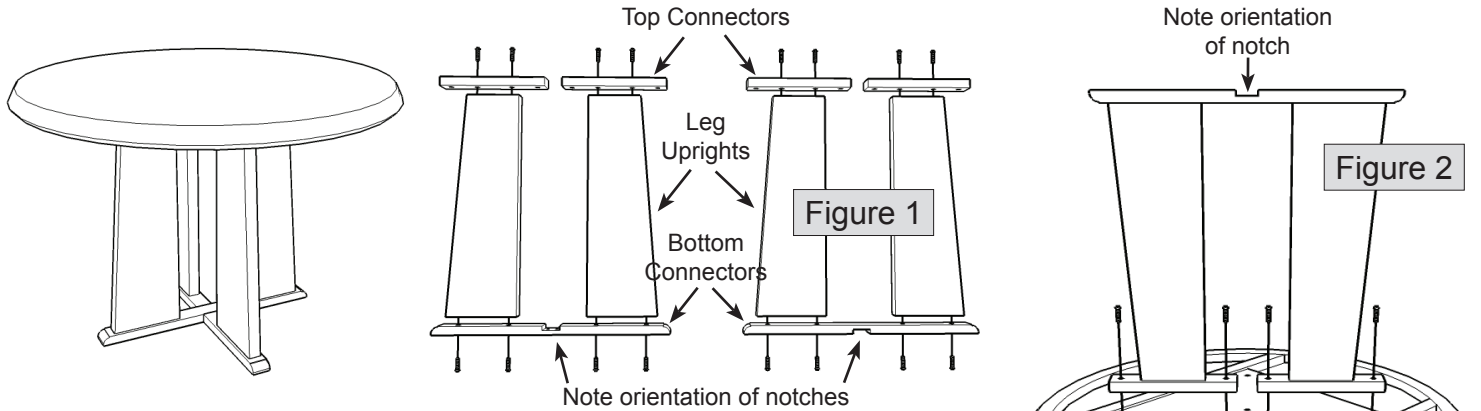
# Assembly Instructions For Round Tables with Tapered Base

**Tools required:** Phillips screwdriver, Allen wrench (included in hardware pack)

**Note:** These instructions are intended for various models and configurations. Your product may not look exactly as shown in the diagrams.

**Recommendation:** Retighten all screws and bolts on a seasonal basis to ensure your product remains strong and stable for many years of use.

**Weight Capacity:** These tables are not intended for use as seats.



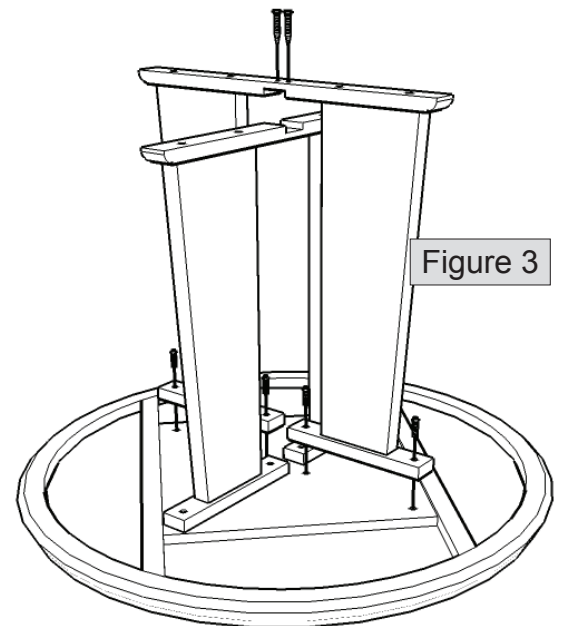
### Parts List

Tabletop  
Leg Uprights, 4 pcs.  
Top Connectors, 4 pcs.  
Bottom Connectors, 2 pcs.

### Hardware Pack

1 1/2" Allen Bolts, 24 pcs.  
3/4" Phillips Screws, 2 pcs.  
Allen Wrench

1. Unpack and identify all parts.
2. Attach a top connector to each leg upright using Allen bolts as shown in figure 1. Tighten securely.
3. Attach bottom connectors to leg uprights using Allen bolts as shown in figure 1. Be sure tapered edges of uprights face out. Tighten bolts securely.
4. Place the tabletop upside down on a soft, clean surface to prevent scratches.
5. Place first leg frame assembly on tabletop with notch in bottom connector oriented as shown in figure 2. Align holes and attach using Allen bolts. Keep bolts slightly loose for now. Repeat with second leg frame assembly as shown in figure 3. Tighten all leg frame bolts securely at this time.
6. Attach bottom connectors to one another using Phillips screws as shown in figure 3. Tighten securely using care not to strip.
7. Using 2 or more people, carefully flip table to upright position. Your product is now assembled and ready to use.



**WARNING:** Do not place a glass top on this table as it may cause warping and cracks. Doing so will void the warranty.

Thank you for purchasing a Lesro product.  
Need assistance with assembly? Call Lesro customer service 1-800-275-7545.  
Visit us on-line at [www.lesro.com](http://www.lesro.com)