



Leaders in Reception Seating

Lesro Industries, Inc.  
55 Peters Road  
Bloomfield, CT  
06002

Phone  
860.243.3226  
Fax  
860.243.5392  
www.lesro.com

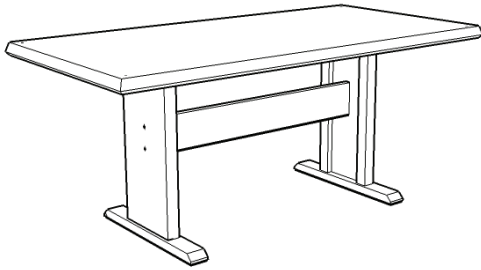
# Assembly Instructions For Trestle Base Conference Tables

**Tools required:** Socket wrench, Allen wrench (included in hardware pack)

**Note:** These instructions are intended for various models and configurations. Your product may not look exactly as shown in the diagrams.

**Recommendation:** Retighten the 4 cross piece bolts on a seasonal basis to ensure your product remains strong and stable for many years of use.

**Weight Capacity:** These tables are not intended for use as seats.



### Parts List

Tabletop  
Leg Frames, 2 pcs.  
Cross Piece

### Hardware Pack

2" Allen Bolts, 4 pcs.  
2" Hex Screws, 8 pcs.  
Washers, 8 pcs.  
Allen Wrench

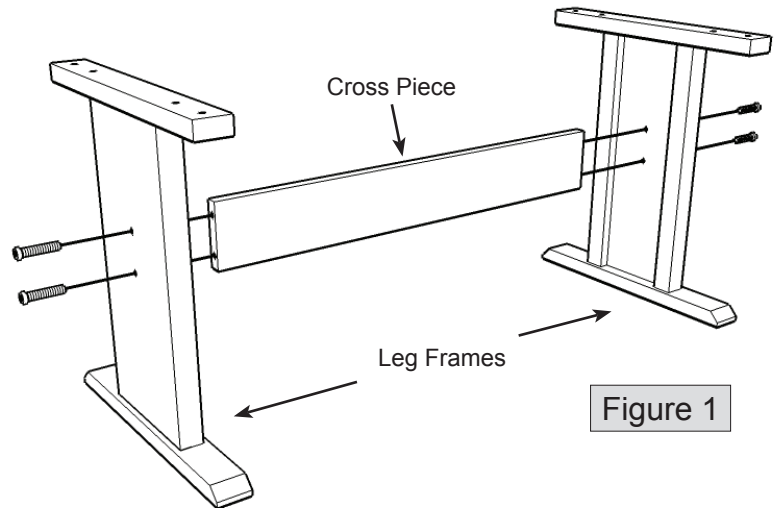


Figure 1

1. Unpack and identify all parts. Note: Leg frames are interchangeable - no left or right.
2. Connect the center cross piece between the two leg frames as shown in figure 1. Attach at each end using 2" Allen bolts. Keep bolts slightly loose for now.
3. Place the tabletop upside down on a soft, clean surface to prevent scratches.
4. Place leg frame assembly on tabletop as shown in figure 2. Align holes and attach using 2" hex screws and washers into pre-drilled holes. Tighten securely using care not to strip.
5. Tighten cross piece Allen bolts from step 2 securely.
6. Using 2 or more people, carefully flip table to upright position. Your product is now assembled and ready to use.

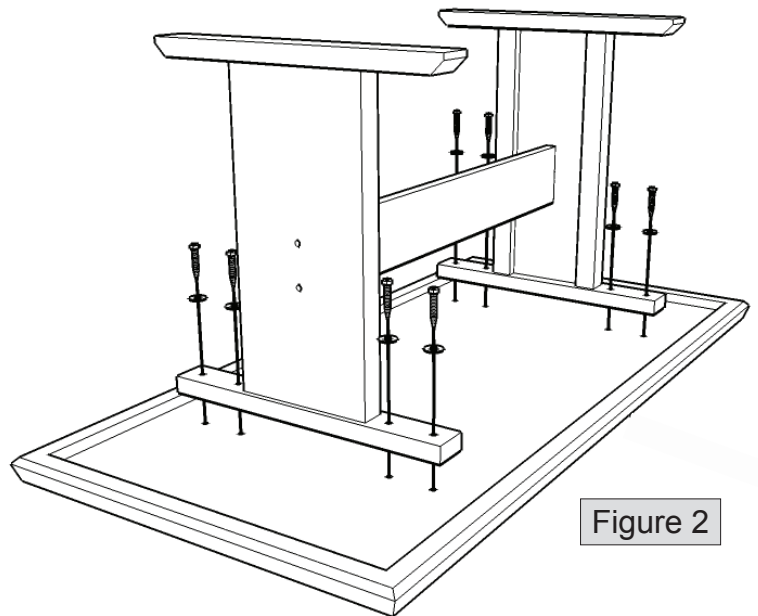


Figure 2

**WARNING:** Do not place a glass top on this table as it may cause warping and cracks. Doing so will void the warranty.

Thank you for purchasing a Lesro product.  
Need assistance with assembly? Call Lesro customer service 1-800-275-7545.  
Visit us on-line at [www.lesro.com](http://www.lesro.com)