



Leaders in Reception Seating

Lesro Industries, Inc.  
1 Griffin Road South  
Bloomfield, CT  
06002

P: 860.243.3226  
F: 860.243.5392

www.lesro.com

# Assembly Instructions For Gansett Benches

**Tools required:** Allen wrench. (Included in hardware pack)

**Note:** These instructions are intended for various models and configurations. Your products may not look exactly as those shown in the diagrams.

**Important:** The assembly process requires that some hardware be kept loose until later in the sequence. Follow these instructions closely to ensure correct assembly.

**Recommendation:** Retighten all bolts on a seasonal basis to ensure your product remains strong and stable for many years of use.

## Parts List

Seat Cushions  
Leg Frames, 2 pcs.  
H-Frame, 1 pc.

## Hardware Pack

1/2" Allen Bolts, 8 pcs.  
2" Allen Bolts  
8 pcs. for 2-Seat Bench  
12 pcs. for 3-Seat Bench  
Allen Wrench

1. Unpack and identify all parts. Note: leg frames are interchangeable - no left or right.
2. Connect H-frame to leg frames using 1/2" Allen bolts, as shown in figure 1. Keep bolts slightly loose for now.
3. Attach cushions to frame assembly using 2" Allen bolts, as shown in figure 2. Get all bolts started before tightening securely.
4. Tighten frame bolts from step 2 securely.
5. Your bench is now assembled and ready to use.

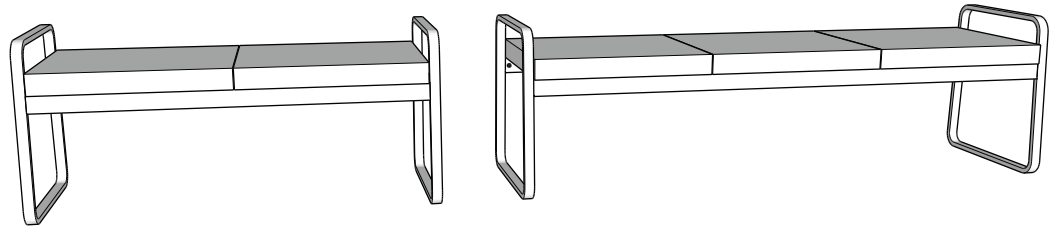


Fig 1

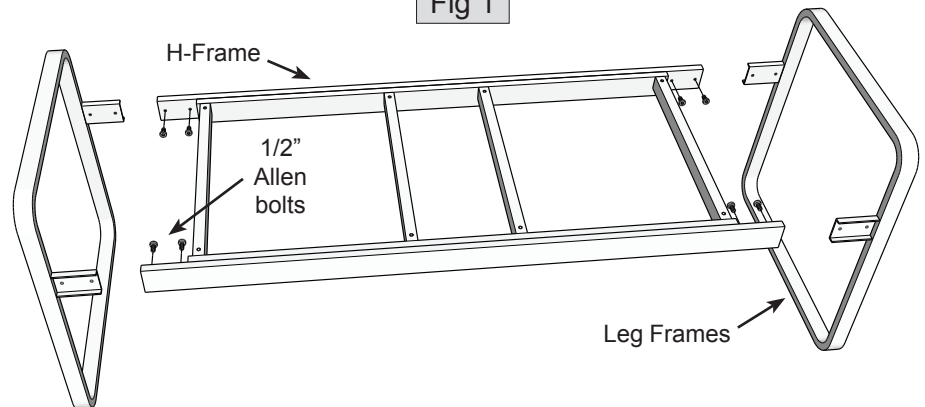
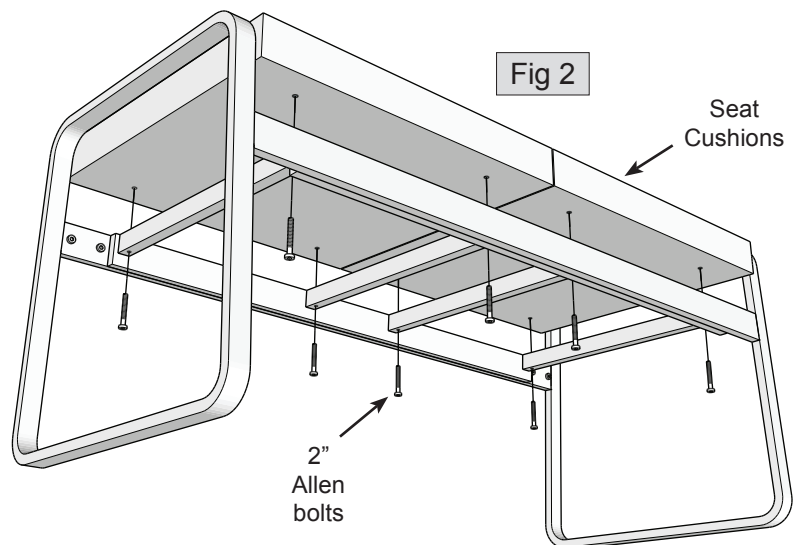


Fig 2



Thank you for purchasing a Lesro product.  
Need assistance with assembly? Call Lesro customer service 1.800.275.7545  
Visit us online at [www.lesro.com](http://www.lesro.com)