



Leaders in Reception Seating

Lesro Industries, Inc.  
1 Griffin Road South  
Bloomfield, CT  
06002

Phone 860.243.3226  
Fax 860.243.5392  
www.lesro.com

# Assembly Instructions For Gansett Guest and Oversize Chairs

**Tools required:** Allen wrenches (included in hardware pack)

**Note:** These instructions are intended for various models and configurations. Your products may not look exactly as those shown in the diagrams.

**Recommendation:** Retighten all bolts on a seasonal basis to ensure your product remains strong and stable for many years of use.

**Weight Capacity:** All guest chairs in this series have a weight capacity of **275 lbs.** per seat unless otherwise stated.

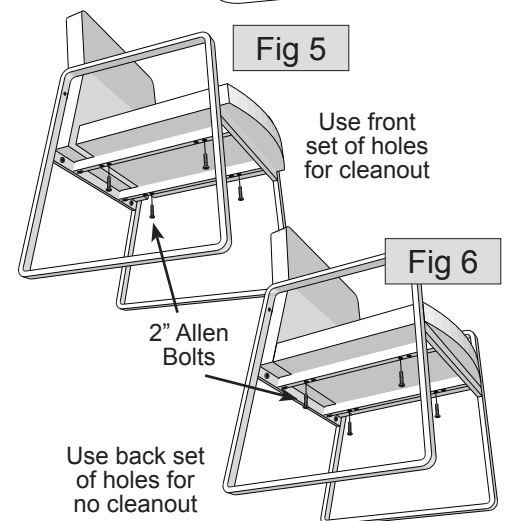
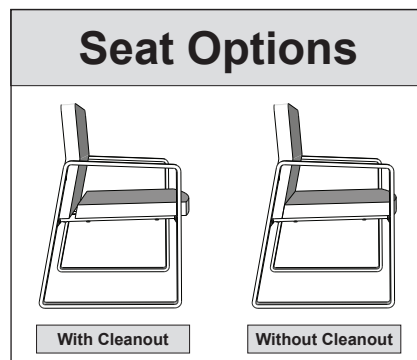
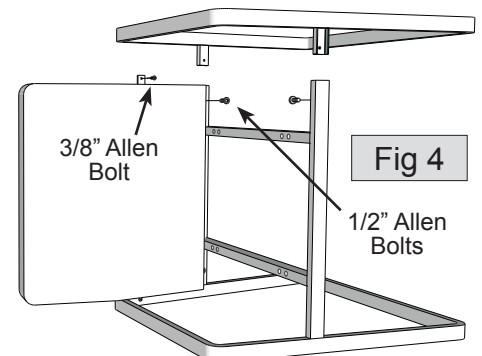
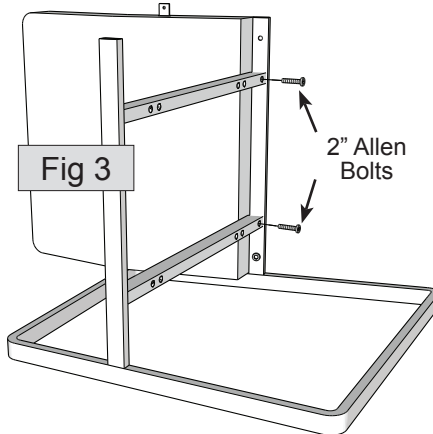
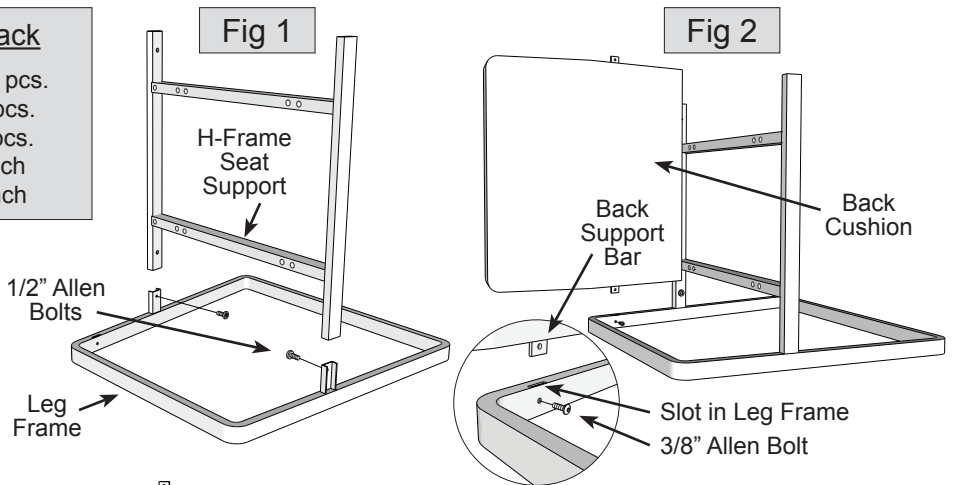
## Parts List

Leg Frame, Left  
Leg Frame, Right  
H-Frame Seat Support  
Back Cushion  
Seat Cushion

## Hardware Pack

1/2" Allen Bolts , 4 pcs.  
2" Allen Bolts, 6 pcs.  
3/8" Allen Bolts, 2 pcs.  
Small Allen Wrench  
Large Allen Wrench

1. Unpack and identify all parts.
2. Place one of the leg frames on a table or the floor, as shown in figure 1. Be sure the surface is soft and clean to prevent scratching. Connect the H-frame seat support to the leg frame using 1/2" Allen bolts. Keep bolts slightly loose.
3. Connect back cushion to leg frame by inserting back support bar into slot in leg frame, as shown in figure 2. Secure using 3/8" Allen bolt. Keep bolt slightly loose.
4. Secure back cushion to H-frame using 2" Allen bolts, as shown in figure 3. Keep bolts slightly loose.
5. Place second leg frame on top of assembly, as shown in figure 4. Be sure back support bar is inserted into slot in leg frame. Secure using 3/8" and 1/2" Allen bolts.
6. Return chair to an upright position.
7. Gansett chairs have dual-position seats. They can be assembled with or without a cleanout, as shown in the Seat Options box.
8. Attach seat to H-frame using 2" Allen bolts, as shown in figures 5 and 6. Use front set of H-frame holes for a seat with cleanout and use the back set of holes for a seat without cleanout.
9. Tighten all 12 bolts securely.
10. Your chair is now assembled and ready to use.



Thank you for purchasing a Lesro product.  
Need assistance with assembly? Call Lesro customer service 1-800-275-7545.  
Visit us on-line at [www.lesro.com](http://www.lesro.com)