



Seating the Way You Want It

Lesro Industries, Inc.
1 Griffin Road South
Bloomfield, CT
06002

Phone 860.243.3226
Fax 860.243.5392
www.lesro.com

Assembly Instructions For Gansett Guest and Oversize Chairs

Tools required: Allen wrenches (included in hardware pack)

Note: These instructions are intended for various models and configurations. Your products may not look exactly as those shown in the diagrams.

Recommendation: Retighten all bolts on a seasonal basis to ensure your product remains strong and stable for many years of use.

Weight Capacity: All guest chairs in this series have a weight capacity of **300 lbs.** per seat unless otherwise stated.

Parts List

Leg Frame, Left
Leg Frame, Right
Back Support Bar
H-Frame Seat Support
Back Cushion
Seat Cushion

Hardware Pack

1/2" Allen Bolts , 4 pcs.
2" Allen Bolts, 6 pcs.
3/8" Allen Bolts, 2 pcs.
Small Allen Wrench
Large Allen Wrench

1. Unpack and identify all parts.
2. Place one of the leg frames on a table or the floor, as shown in figure 1. Be sure the surface is soft and clean to prevent scratching. Connect the H-frame seat support to the leg frame using 1/2" Allen bolts. Keep bolts slightly loose.
3. Slide back support bar through slot in back cushion, as shown in figure 2. Leave equal lengths protruding from each end.
4. Connect back cushion to leg frame by inserting back support bar into slot in leg frame, as shown in figure 3. Secure using 3/8" Allen bolt. Keep bolt slightly loose.
5. Secure back cushion to H-frame using 2" Allen bolts, as shown in figure 4. Keep bolts slightly loose.

(continued on page 2)

Fig 1

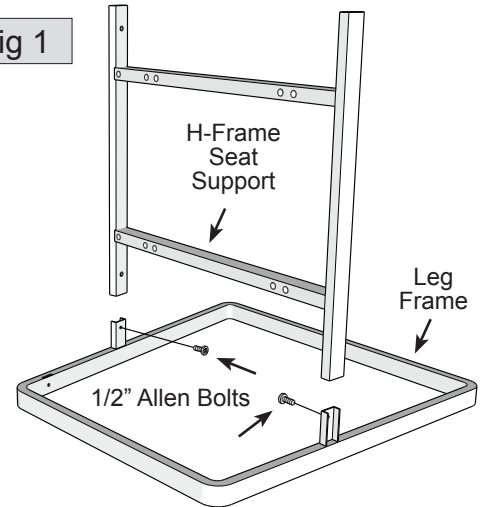


Fig 2

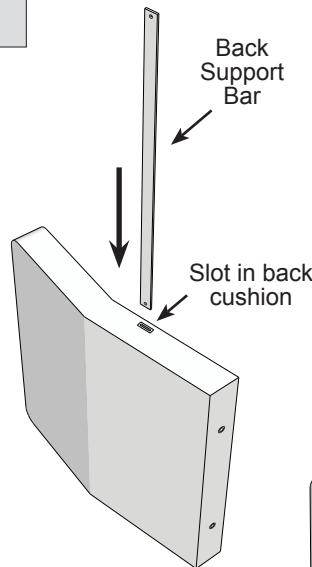


Fig 3

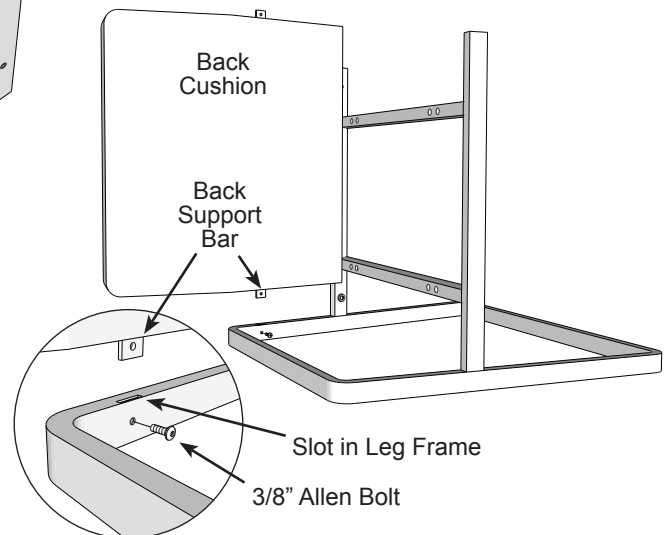
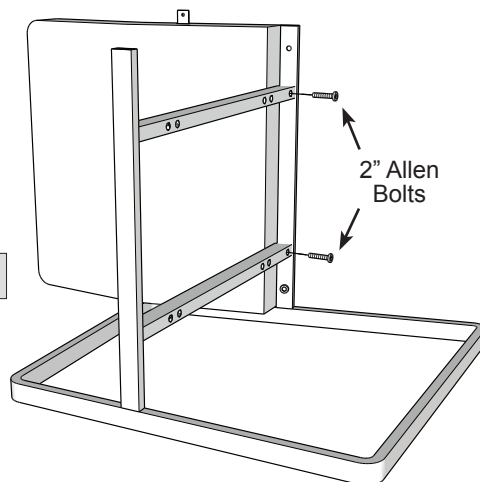


Fig 4



Thank you for purchasing a Lesro product.
Need assistance with assembly? Call Lesro customer service 1-800-275-7545.

Visit us on-line at www.lesro.com



Seating the Way You Want It
 Lesro Industries, Inc.
 1 Griffin Road South
 Bloomfield, CT
 06002

Assembly Instructions For Gansett Guest and Oversize Chairs

Recommendation: Retighten all bolts on a seasonal basis to ensure your product remains strong and stable for many years of use.

Weight Capacity: All guest chairs in this series have a weight capacity of **300 lbs.** per seat unless otherwise stated.

(continued from page 1)

6. Place second leg frame on top of assembly, as shown in figure 5. Be sure back support bar is inserted into slot in leg frame. Secure using 3/8" and 1/2" Allen bolts.
7. Return chair to an upright position.
8. Gansett chairs have dual-position seats. They can be assembled with or without a cleanout, as shown in the Seat Options diagram.
9. Attach seat to H-frame using 2" Allen bolts, as shown in figures 6 and 7. Use front set of H-frame holes for a seat with cleanout and use the back set of holes for a seat without cleanout.
10. Tighten all 12 bolts securely.
11. Your chair is now assembled and ready to use.

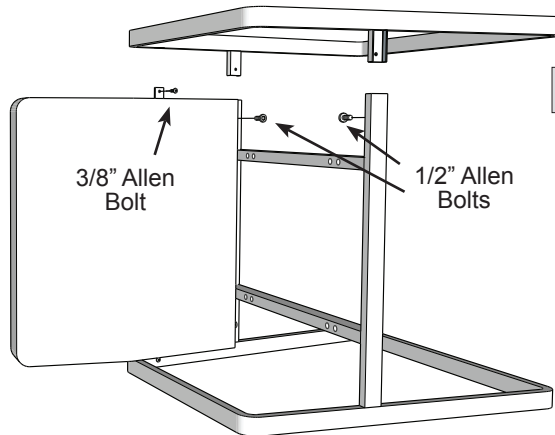


Fig 5

Seat Options

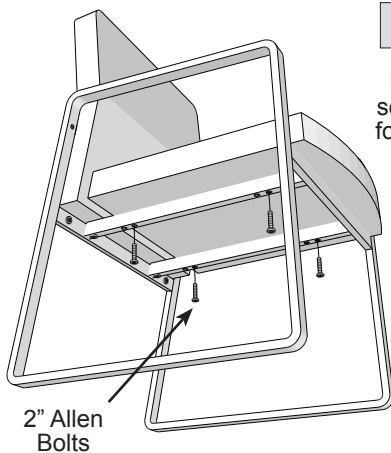
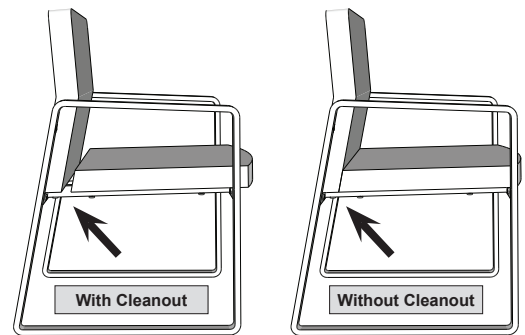


Fig 6
 Use front set of holes for cleanout

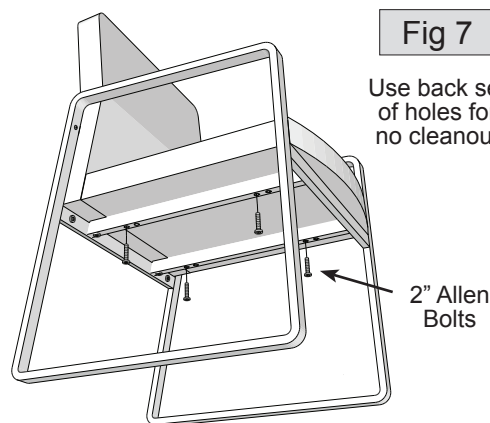


Fig 7
 Use back set of holes for no cleanout

Thank you for purchasing a Lesro product.
 Need assistance with assembly? Call Lesro customer service 1-800-275-7545.
 Visit us on-line at www.lesro.com