



Leaders in Reception Seating

Lesro Industries, Inc.
1 Griffin Road South
Bloomfield, CT
06002

P: 860.243.3226
F: 860.243.5392

www.lesro.com

Assembly Instructions For Gansett Coffee and End Tables

Tools required: Allen wrench. (Included in hardware pack)

Note: These instructions are intended for various models and configurations. Your products may not look exactly as those shown in the diagrams.

Important: The assembly process requires that some hardware be kept loose until later in the sequence. Follow these instructions closely to ensure correct assembly.

Recommendation: Retighten all bolts on a seasonal basis to ensure your product remains strong and stable for many years of use.

Parts List

Tabletop
Leg Frames, 2 pcs.
Cross Tubes, 2 pcs.

Hardware Pack

1/2" Allen Bolts, 4 pcs.
5/8" Allen Bolts, 4 pcs.
Allen Wrench

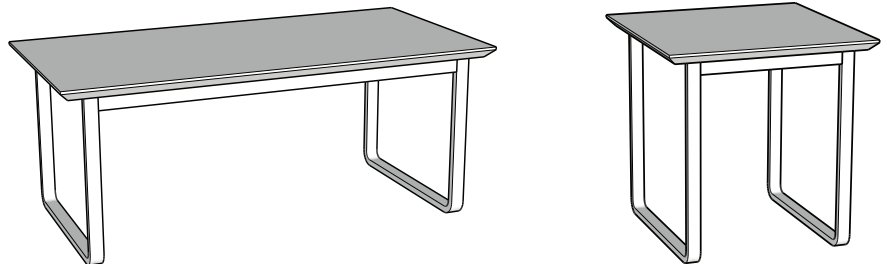
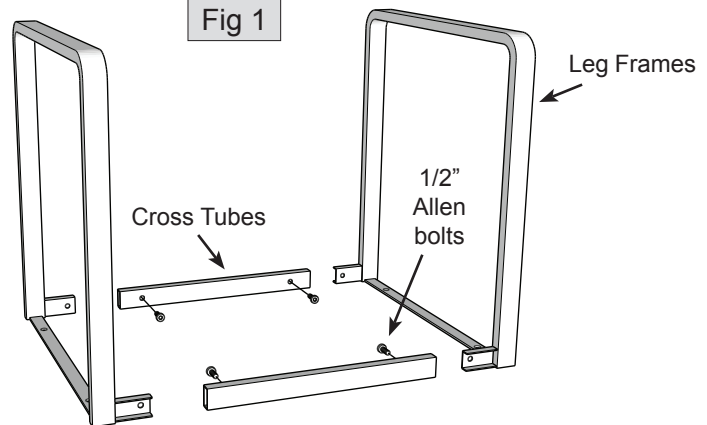
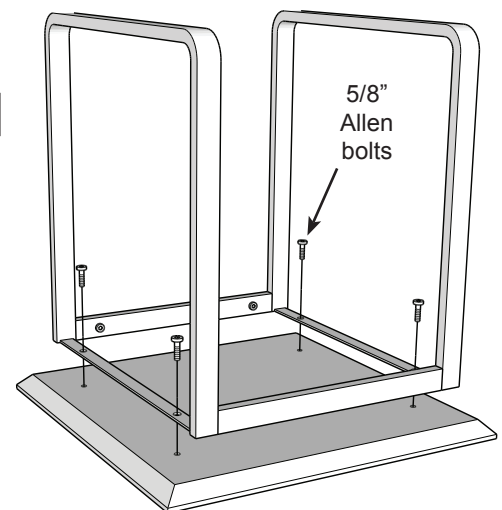


Fig 1



1. Unpack and identify all parts. Note: leg frames are interchangeable - no left or right.
2. Connect cross tubes to leg frames using 1/2" Allen bolts, as shown in figure 1. Keep bolts slightly loose for now.
3. Place tabletop face down on a soft, clean surface to prevent scratching. For end table, take note of tabletop HPL grain direction, if applicable.
4. Attach leg frame assembly to tabletop using 5/8" Allen bolts, as shown in figure 2. Get all 4 bolts started before tightening securely.
5. Tighten frame bolts from step 2 securely.
6. Carefully return table to the upright position.
7. Your table is now assembled and ready to use.

Fig 2



Thank you for purchasing a Lesro product.
Need assistance with assembly? Call Lesro customer service 1.800.275.7545
Visit us online at www.lesro.com