



Leaders in Reception Seating

Lesro Industries, Inc.
1 Griffin Road South
Bloomfield, CT
06002

Phone 860.243.3226
Fax 860.243.5392
www.lesro.com

Assembly Instructions For Lenox Steel Bariatric

Tools required: Allen wrench (included in hardware pack) and rubber mallet (optional).

Note: These instructions are intended for various models and configurations. Your products may not look exactly as those shown in the diagrams.

Important: The assembly process requires that some hardware be kept loose until later in the sequence. Follow these instructions closely to ensure correct assembly.

Recommendation: Retighten all bolts on a seasonal basis to ensure your product remains strong and stable for many years of use.

Weight Capacity: All bariatric chairs in this series have a weight capacity of 750 lbs.

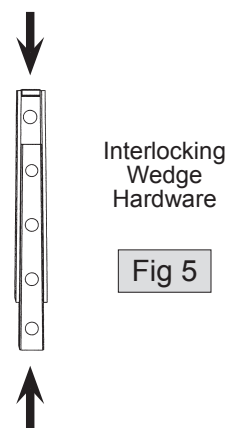
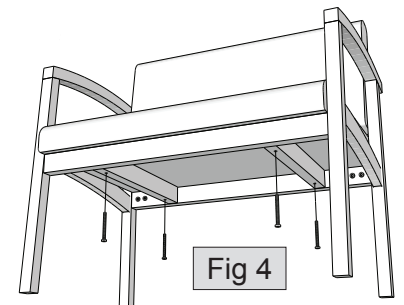
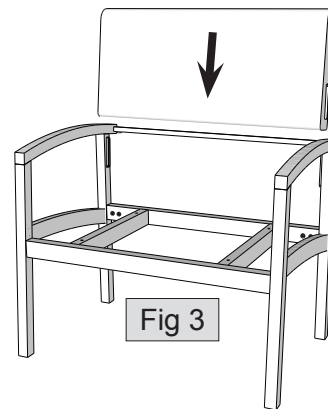
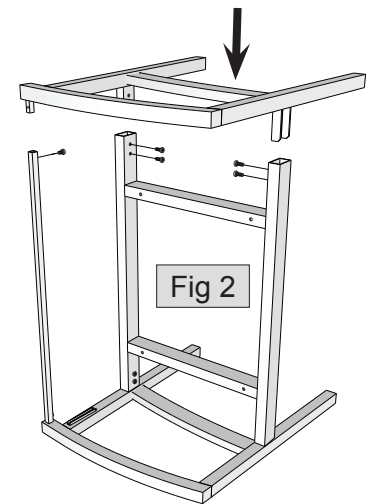
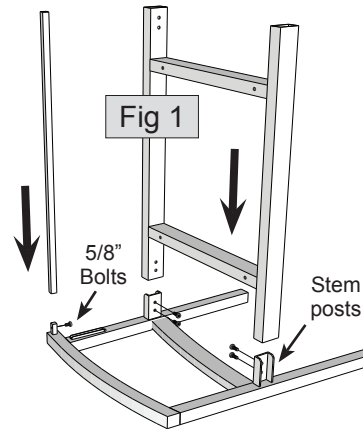
Parts List

Leg Frame, Left
Leg Frame, Right
H-Frame Seat Support
Back Cross Tube
Back Cushion
Seat Cushion

Hardware Pack

5/8" Allen Bolts, 10 pcs.
3 1/2" Allen Bolts, 4 pcs.
Allen Wrench

1. Unpack and identify all parts.
2. Place one of the leg frames on a clean, scratch-free surface with the stem posts facing up, as shown in figure 1. Place the H-frame seat support and the back cross tube over the stem posts and attach using 5/8" Allen bolts. Keep bolts slightly loose.
3. Place second leg frame into place, as shown in figure 2. Insert the H-frame stem posts first and then the back cross tube. Attach using 5/8" Allen bolts. Keep bolts slightly loose.
4. The back cushion for this chair is held in place by **interlocking wedge hardware**, as shown in figure 5.
5. With the chair upright on a level surface, attach the back cushion to the leg frames by aligning the interlocking wedges on each side and sliding them together simultaneously, as shown in figure 3. Use care that the wedges on both sides are properly aligned. Do not attempt to insert one side ahead of the other. Use your hands to apply downward pressure to the back cushion. The wedges should slide together and tighten.
6. Use your fist or palm of your hand to gently pound the back cushion down until the wedges are "locked" together. A rubber mallet is helpful for this step, but be sure to protect the fabric from damage. A standard hammer is not recommended.
Important: Wedges are correctly "locked" when the inner wedge comes into contact with the top flap of the outer wedge, and the bottom edges align, as shown in figure 5. Avoid excessive force or damage to the wedges may occur.
7. Tighten all Allen bolts from steps 2 and 3 securely.
8. Attach seat cushion to H-frame using 3 1/2" Allen bolts, as shown in figure 4. Once all 4 bolts are started, tighten all securely.
9. Your product is now assembled and ready to use.



Thank you for purchasing a Lesro product.

Need assistance with assembly? Call Lesro customer service 1-800-275-7545.

Visit us online at www.lesro.com