



Leaders in Reception Seating

Lesro Industries, Inc.
1 Griffin Road South
Bloomfield, CT
06002

Phone
860.243.3226
Fax
860.243.5392
www.lesro.com

Assembly Instructions For Franklin, Lenox & Weston Series

Tools required: Allen wrench (included in hardware pack) and Phillips screwdriver

Note: These instructions are intended for various models and configurations. Your products may not look exactly as those shown in the diagrams.

Important: The assembly process requires that some hardware be kept loose until later in the sequence. Follow these instructions closely to ensure correct assembly.

Recommendation: Retighten all screws and bolts on a seasonal basis to ensure your product remains strong and stable for many years of use.

Weight Capacity: All oversize chairs in these series have a weight capacity of 400 lbs., unless otherwise stated.

Parts List

Leg Frames, 2 pcs.
Cross Pieces, 2 pcs.
Seat Cushion
Back Cushion

Hardware Pack

2" Allen Bolts, 12 pcs.
2 1/2" Phillips Screws, 2 pcs.
Allen Wrench

Oversize Chairs

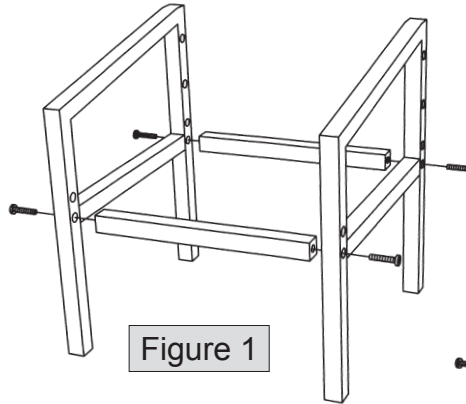


Figure 1

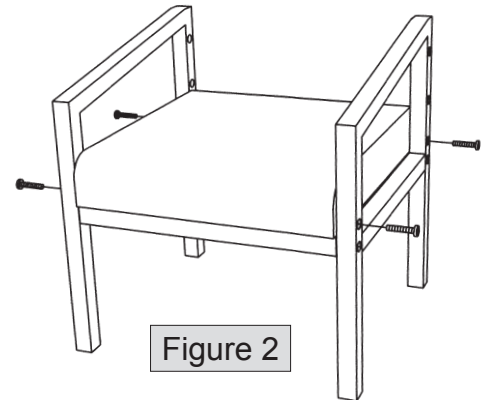


Figure 2

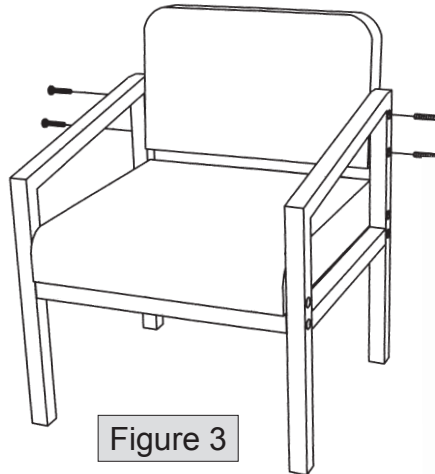


Figure 3

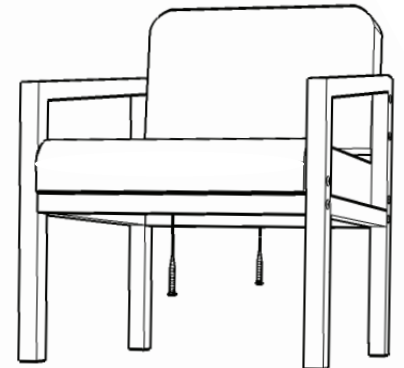


Figure 4

1. Unpack and identify all parts. The white tag on the bottom of the seat cushion faces back. **Note:** Leg frames are interchangeable - no left or right.
2. Attach the two cross pieces between the leg frames using Allen bolts, as shown in figure 1. Keep all bolts loose for now.
3. Place the seat cushion on top of the cross pieces and attach to the leg frames using Allen bolts, as shown in figure 2. Keep these bolts loose for now.
4. Place the back cushion between the leg frames and attach using Allen bolts, as shown in figure 3. Press down on the back cushion to line up bolt holes if necessary. Keep these bolts loose for now.
5. Place the chair upright on a level surface and tighten all bolts a little at a time until all are secure.
6. Insert Phillips screws through pre-drilled holes in cross pieces, as shown in figure 4 and tighten securely.
7. Your product is now assembled and ready to use.

Thank you for purchasing a Lesro product.
Need assistance with assembly? Call Lesro customer service 1-800-275-7545.
Visit us on-line at www.lesro.com