



Leaders in Reception Seating

Lesro Industries, Inc.  
55 Peters Road  
Bloomfield, CT  
06002

Phone  
860.243.3226  
Fax  
860.243.5392  
www.lesro.com

# Assembly Instructions For Mystic Series

**Tools required:** Allen wrenches (included in hardware pack)

**Note:** These instructions are intended for various models and configurations. Your products may not look exactly as those shown in the diagrams.

**Important:** The assembly process requires that some hardware be kept loose until later in the sequence. Follow these instructions closely to ensure correct assembly.

**Recommendation:** Retighten all bolts on a seasonal basis to ensure your product remains strong and stable for many years of use.

**Weight Capacity:** Single 275 lbs.      Double 550 lbs.      Triple 550 lbs.

## Parts List

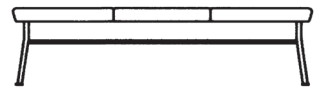
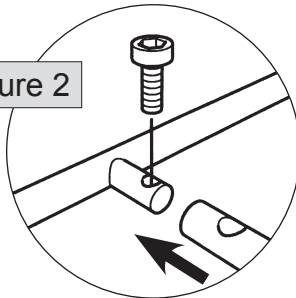
Seat Cushion  
Leg Frames, 2 pcs.  
Center Support Tube

## Hardware Pack

1/2" Allen Bolts, 2 pcs.  
2" Allen Bolts, 8 pcs.  
Allen Wrenches, 2 pcs.

## Benches & Scooters

Figure 2



1. Unpack and identify all parts. **Note:** Leg frames are interchangeable - no left or right.
2. Connect the center support tube between the two leg frames as shown in figure 1. Attach at each end using 1/2" Allen bolts as shown in figure 2. Keep bolts slightly loose for now.
3. Place the seat cushion upside down on a clean surface.
4. Place leg frame assembly on seat cushion as shown in figure 1. Align holes and attach using 2" Allen bolts. Tighten these bolts securely.
5. Securely tighten the 1/2" Allen bolts connecting center support tube to leg frames from step 2.
6. Your product is now assembled and ready to use.

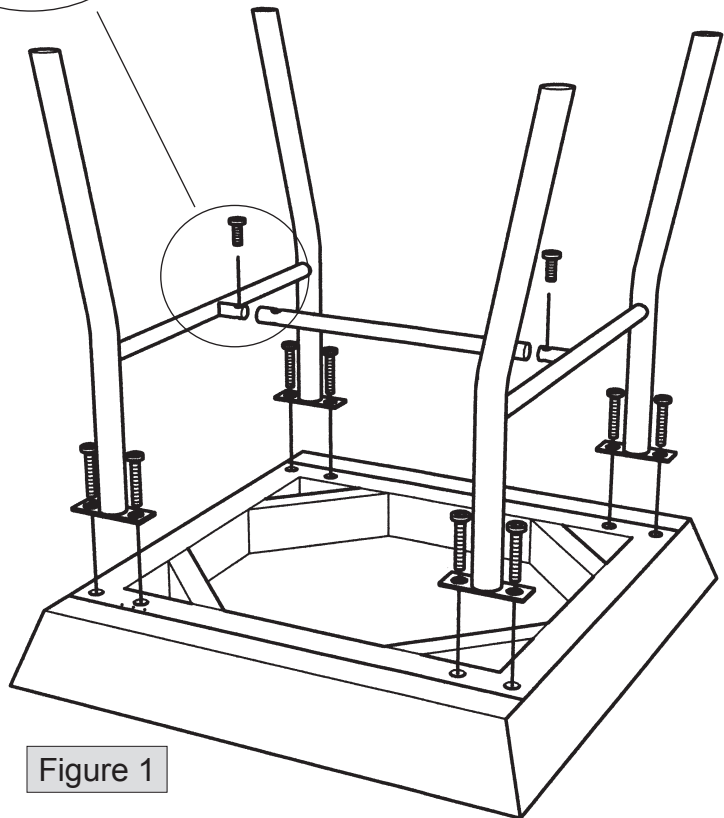


Figure 1

Thank you for purchasing a Lesro product.  
Need assistance with assembly? Call Lesro customer service 1-800-275-7545.  
Visit us on-line at [www.lesro.com](http://www.lesro.com)