



Leaders in Reception Seating

Lesro Industries, Inc.
55 Peters Road
Bloomfield, CT
06002

Phone
860.243.3226
Fax
860.243.5392
www.lesro.com

Assembly Instructions For Mystic Series

Tools required: Phillips head screwdriver

Note: These instructions are intended for various models and configurations. Your products may not look exactly as those shown in the diagrams.

Important: The swivel tablet can be attached during initial bench assembly or at a later time. Instructions for both procedures are included below.

Recommendation: Retighten all screws and bolts on a seasonal basis to ensure your product remains strong and stable for many years of use.

Weight Capacity: Swivel tablets are not intended for use as seats.

Parts List

Tablet
Tablet Support Tube
Swivel Plate

Hardware Pack

1" Wood Screws, 8 pcs.

Swivel Tablet for Bench

Figure 1

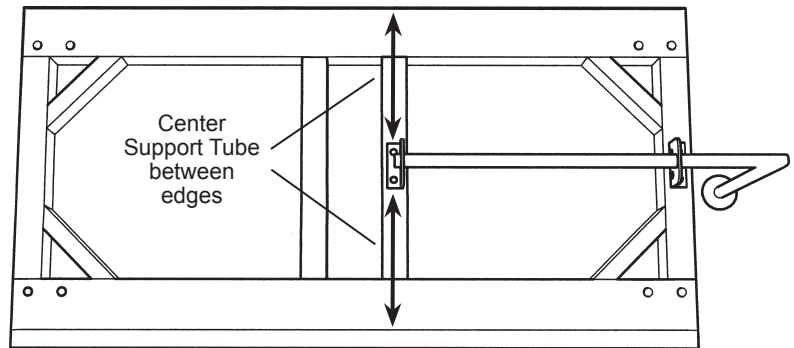


Figure 2

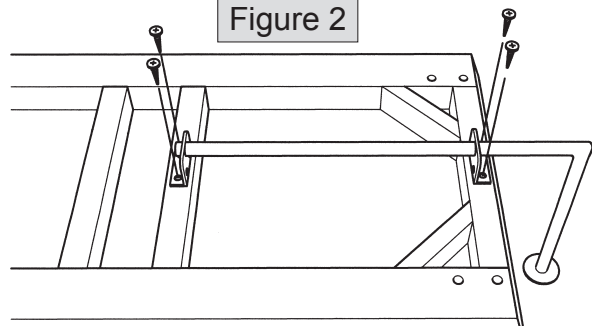


Figure 3

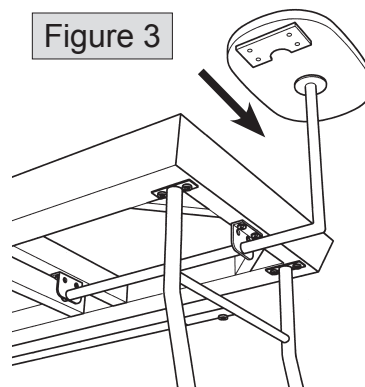
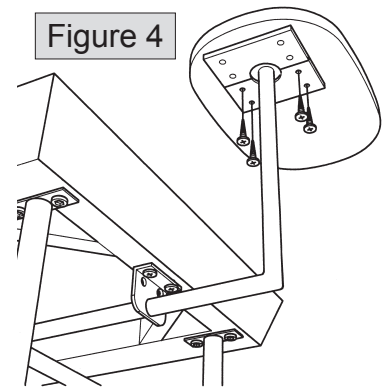


Figure 4



1. Unpack and identify all parts.
2. The tablet can be attached to the left or right side of any 2 or 3 seat mystic bench. It will not fit a 1 seat bench or scooter.
3. If your bench has not yet been assembled, attach the tablet support tube to the bottom of the seat cushion before attaching legs. If your bench has already been assembled, there is no need to remove the legs. Simply work around them while following the assembly steps.
4. Place the seat cushion upside down on a clean and elevated surface.
5. Place tablet support tube in center of wood frame as shown in figure 1. Be sure that all screw holes fall in solid wood.
6. Use 1" wood screws to secure tablet support tube to wood frame as shown in figure 2. Tighten screws securely but use care not to strip.
7. If your legs have not already been attached, please do so at this time by following all steps on the bench assembly instruction sheet.
8. With bench in upright position, slide tablet on support tube, as shown in figure 3. Note how the round flange slides inside of the pre-attached swivel plate.
9. Attach second swivel plate to tablet using 1" wood screws into pre-marked holes, as shown in figure 4. Tighten securely but use care not to strip.
10. Your tablet is now attached and ready to use.

Thank you for purchasing a Lesro product.
Need assistance with assembly? Call Lesro customer service 1-800-275-7545.
Visit us on-line at www.lesro.com