



Leaders in Reception Seating

Lesro Industries, Inc.
55 Peters Road
Bloomfield, CT
06002

Phone
860.243.3226
Fax
860.243.5392
www.lesro.com

Assembly Instructions For Mystic Series

Tools required: Phillips head screwdriver, Allen wrench (included in hardware pack)

Note: These instructions are intended for various models and configurations. Your products may not look exactly as those shown in the diagrams.

Important: The swivel tablet can be attached during initial chair assembly or at a later time. Instructions for both procedures are included below.

Recommendation: Retighten all screws and bolts on a seasonal basis to ensure your product remains strong and stable for many years of use.

Weight Capacity: Swivel tablets are not intended for use as seats.

Parts List

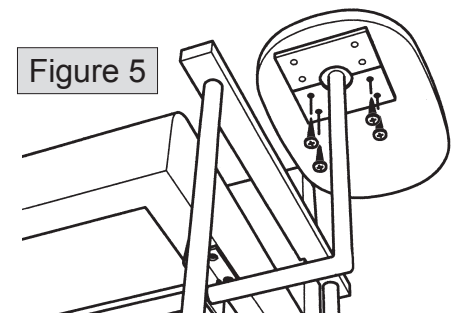
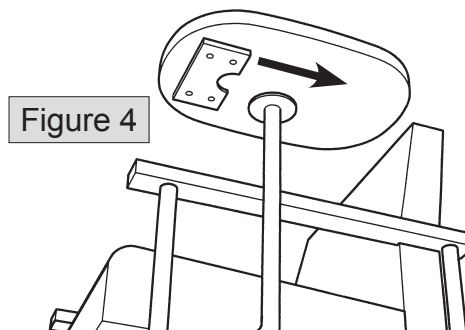
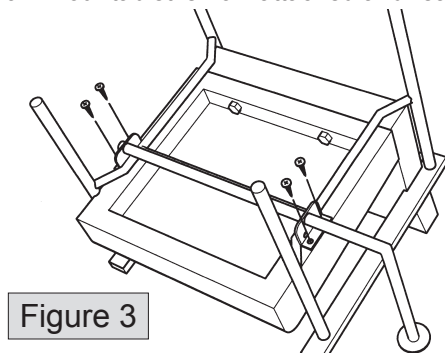
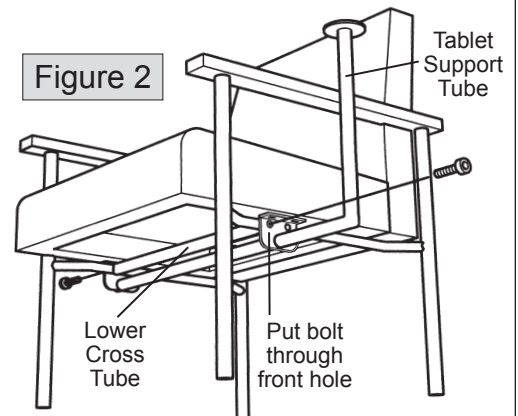
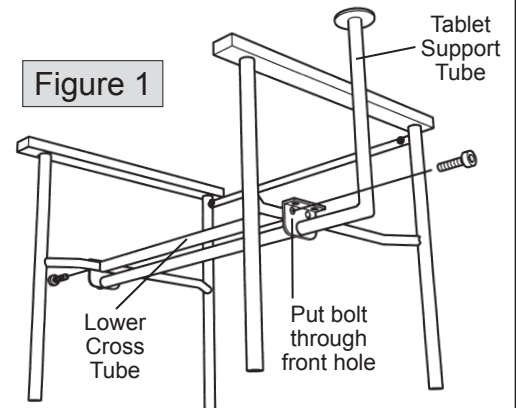
Tablet
Tablet Support Tube
Swivel Plate

Hardware Pack

2" Allen Bolts, 2 pcs.
1" Wood Screws, 8 pcs.
Allen Wrench

Swivel Tablet for Chair

1. Unpack and identify all parts.
2. The tablet can be attached to the left or right side of any Mystic chair, except the 400 lbs. capacity Guest Chair.
3. If your chair has not yet been assembled, attach tablet support tube at same time as lower cross tube using 2" Allen bolts, as shown in figure 1. Use front holes in support tube bracket. Keep these bolts loose for now. Proceed with complete chair assembly instructions before skipping to step 5.
4. If your chair has already been assembled, remove Allen bolts holding lower cross tube, align support tube using front bracket holes as shown in figure 2, and reinstall bolts into cross tube. Note: Additional Allen bolts have been included with tablet hardware for this connection. Tighten all bolts securely.
5. **Important:** Before proceeding with the next step, all chair bolts must be securely tightened. This includes lower cross tube bolts and seat cushion bolts. (Please refer to chair instruction sheet)
6. Secure tablet support tube to bottom of seat frame using 1" wood screws, as shown in figure 3. Tighten screws firmly but use care not to strip.
7. With chair in upright position, slide tablet on support tube, as shown in figure 4. Note how the round flange slides inside of the pre-attached swivel plate.
8. Attach second swivel plate to tablet using 1" wood screws into pre-marked holes, as shown in figure 5. Tighten securely but use care not to strip.
9. Your tablet is now attached and ready to use.



Thank you for purchasing a Lesro product.
Need assistance with assembly? Call Lesro customer service 1-800-275-7545.
Visit us on-line at www.lesro.com