



Leaders in Reception Seating

Lesro Industries, Inc.  
55 Peters Road  
Bloomfield, CT  
06002

Phone  
860.243.3226  
Fax  
860.243.5392  
www.lesro.com

# Assembly Instructions For Mystic Series

**Tools required:** Phillips head screwdriver, Allen wrench (included in hardware pack)

**Note:** These instructions are intended for various models and configurations. Your products may not look exactly as those shown in the diagrams.

**Important:** The assembly process requires that some hardware be kept loose until later in the sequence. Follow these instructions closely to ensure correct assembly.

**Recommendation:** Retighten all bolts on a seasonal basis to ensure your product remains strong and stable for many years of use.

**Weight Capacity:** These tables are not intended for use as seats.

## Parts List

Tabletop  
Leg Frames, 2 pcs.  
Center Support Tube

## Hardware Pack

3/4" Phillips Bolts , 8 pcs.  
1/2" Allen Bolts, 2 pcs.  
Allen Wrench

## End & Coffee Tables

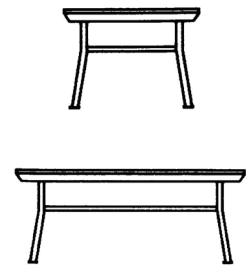
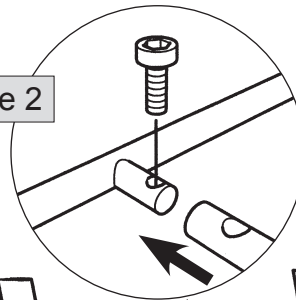


Figure 2



1. Unpack and identify all parts. **Note:** Leg frames are interchangeable - no left or right.
2. Connect the center support tube between the two leg frames as shown in figure 1. Attach at each end using 1/2" Allen bolts as shown in figure 2. Keep bolts slightly loose for now.
3. Place the tabletop upside down on a soft, clean surface to prevent scratches.
4. Place leg frame assembly on tabletop as shown in figure 1. Align holes and attach using 3/4" Phillips bolts. Tighten these bolts securely.
5. Securely tighten Allen bolts connecting center support tube to leg frames from step 2.
6. Your product is now assembled and ready to use.

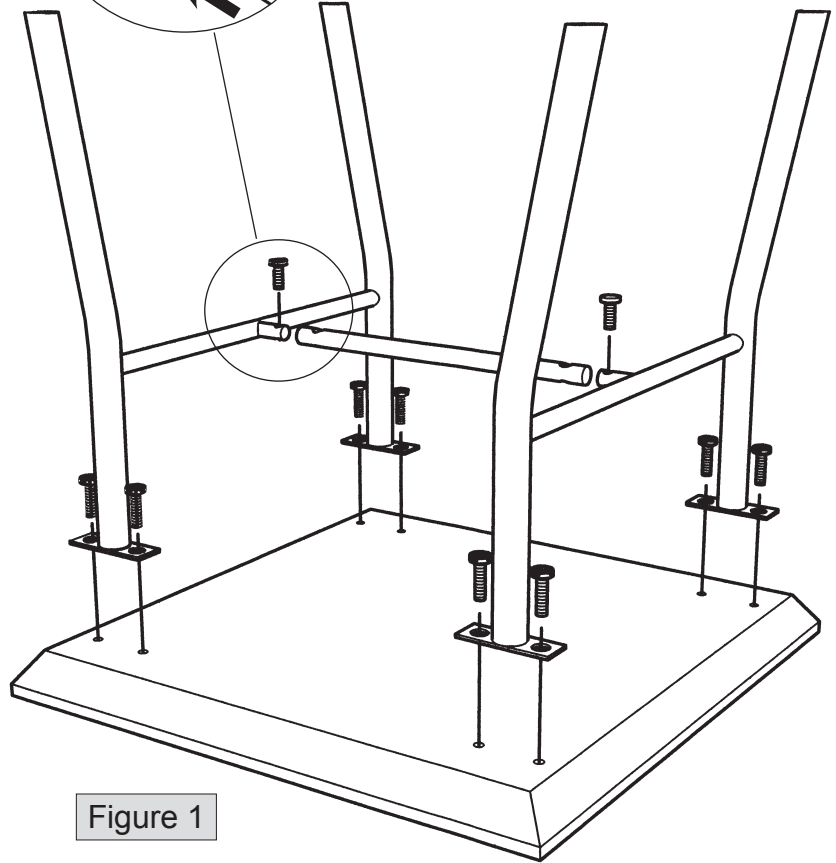


Figure 1

Thank you for purchasing a Lesro product.  
Need assistance with assembly? Call Lesro customer service 1-800-275-7545.  
Visit us on-line at [www.lesro.com](http://www.lesro.com)