



Leaders in Reception Seating

Lesro Industries, Inc.  
55 Peters Road  
Bloomfield, CT  
06002

Phone 860.243.3226  
Fax 860.243.5392  
www.lesro.com

# Assembly Instructions For Steel Frame Utility Tables

**Tools required:** Phillips screwdriver, Allen wrench (included in hardware pack).

**Note:** These instructions are intended for various models and configurations. Your product may not look exactly as shown in the diagrams.

**Recommendation:** Retighten all screws and bolts on a seasonal basis to ensure your product remains strong and stable for many years of use.

**Weight Capacity:** These tables are not intended for use as seats.

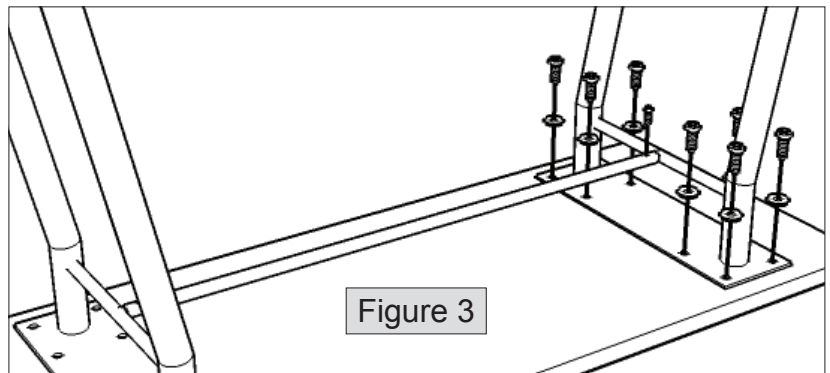
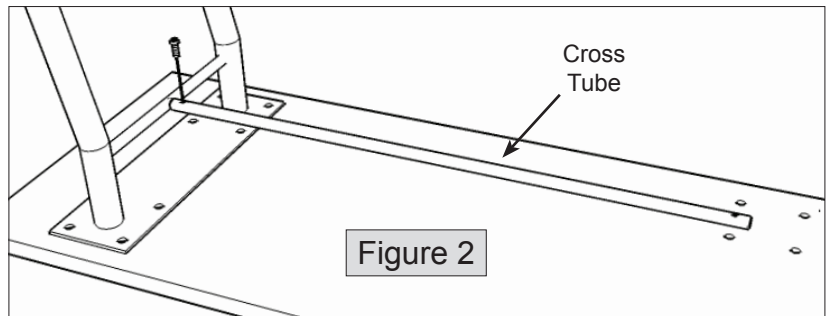
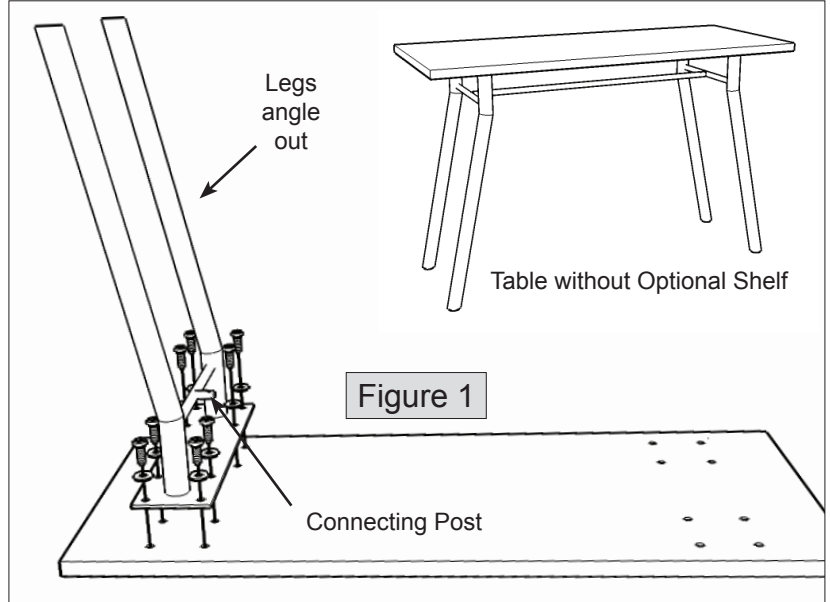
## Parts List

Tabletop  
Leg Frames, 2 pcs.  
Cross Tube  
Shelf (optional)

## Hardware Pack

$\frac{3}{4}$ " Phillips Bolts, 16 pcs.  
Washers, 16 pcs.  
 $\frac{1}{2}$ " Allen Bolts, 2 pcs.  
Allen Wrench  
 $\frac{3}{4}$ " Screws for Optional  
Shelf

1. Unpack and identify all parts. Note: Leg frames are interchangeable – no left or right.
2. Place the tabletop upside down on a soft, clean surface to prevent scratches.
3. Attach one leg frame to tabletop using  $\frac{3}{4}$ " Phillips bolts and washers into threaded inserts, as shown in figure 1. Be sure legs angle out. Keep bolts slightly loose for now.
4. Connect cross tube to connecting post on leg frame using  $\frac{1}{2}$ " Allen bolt, as shown in figure 2. Keep bolt slightly loose for now.
5. Connect second leg frame to cross tube and tabletop, as shown in figure 3.
6. Tighten all 18 bolts securely at this time.
7. Using 2 or more people, carefully flip table to upright position. If you ordered the optional shelf, please follow shelf installation instructions on page 2. If you did not order the shelf, your product is now fully assembled and ready to use.



Thank you for purchasing a Lesro product.  
Need assistance with assembly? Call Lesro customer service 1-800-275-7545.  
Visit us on-line at [www.lesro.com](http://www.lesro.com)



Leaders in Reception Seating

Lesro Industries, Inc.  
55 Peters Road  
Bloomfield, CT  
06002

Phone 860.243.3226  
Fax 860.243.5392  
www.lesro.com

## Assembly Instructions For Steel Frame Utility Tables

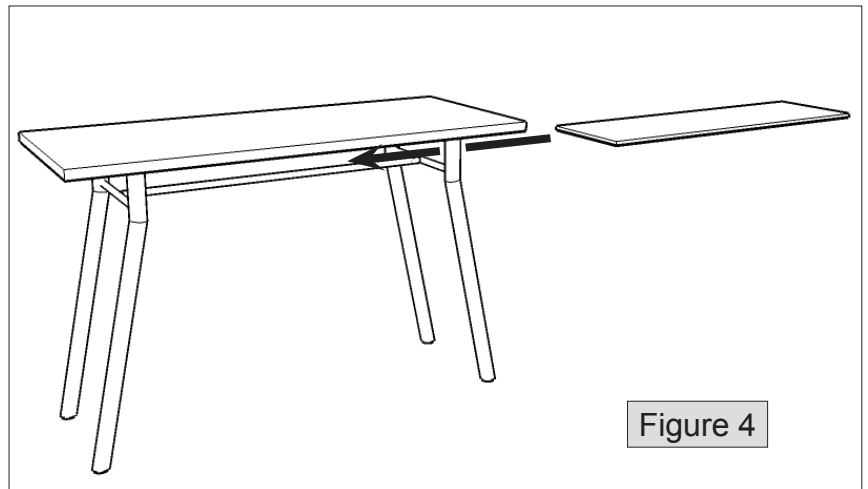
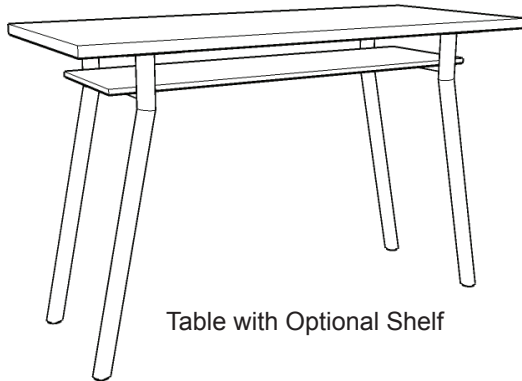
**Tools required:** Phillips screwdriver, Allen wrench (included in hardware pack).

**Note:** These instructions are intended for various models and configurations. Your product may not look exactly as shown in the diagrams.

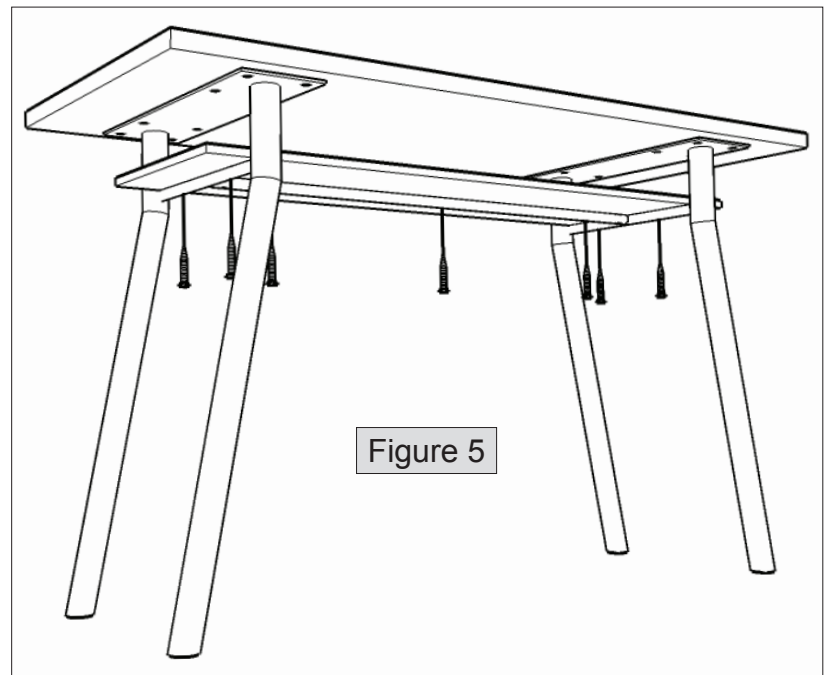
**Recommendation:** Retighten all screws and bolts on a seasonal basis to ensure your product remains strong and stable for many years of use.

**Weight Capacity:** These tables are not intended for use as seats.

### Shelf Installation Instructions (Optional)



1. Table should be fully assembled and in the upright position before installing optional shelf. All leg bolts should be tightened securely before starting.
2. Slide the shelf under the tabletop from one end as shown in figure 4.
3. Center the shelf accurately between leg frames.
4. Attach shelf to cross tubes using wood screws as shown in figure 5. Tighten all screws securely using care not to strip.
5. Your product is now fully assembled and ready to use.



Thank you for purchasing a Lesro product.  
Need assistance with assembly? Call Lesro customer service 1-800-275-7545.  
Visit us on-line at [www.lesro.com](http://www.lesro.com)