



Leaders in Reception Seating

Lesro Industries, Inc.
1 Griffin Road South
Bloomfield, CT
06002

Phone
860.243.3226
Fax
860.243.5392
www.lesro.com

Assembly Instructions For Belmont, Brewster, Savoy & Somerset Series

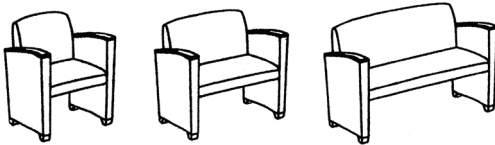
Tools required: 9/16" ratchet

Note: These instructions are intended for various models and configurations. Your products may not look exactly as those shown in the diagrams.

Important: The assembly process requires that some hardware be kept loose until later in the sequence. Follow these instructions closely to ensure correct assembly.

Recommendation: Retighten all bolts on a seasonal basis to ensure your product remains strong and stable for many years of use.

Weight Capacity: All chairs in these series have a weight capacity of 400 lbs. per seat, unless otherwise stated.



Single Chairs & Loveseats

Parts List

Seat Cushion
Back Cushion
Arm Frames, left & right

Hardware Pack

2" Hex Bolts, 6 pcs.
3" Hex Bolts, 2 pcs.
Washers, 8 pcs.

Figure 1

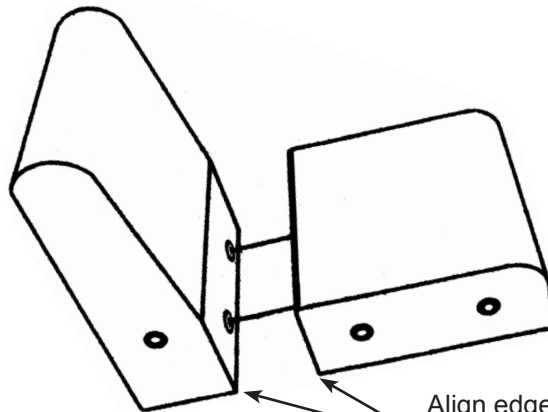


Figure 2

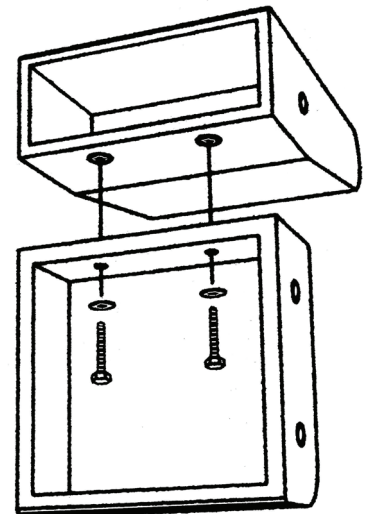


Figure 3

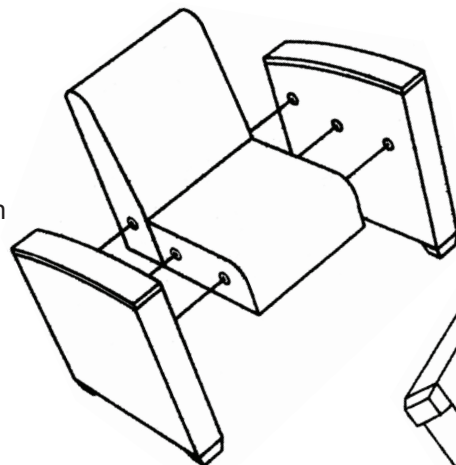
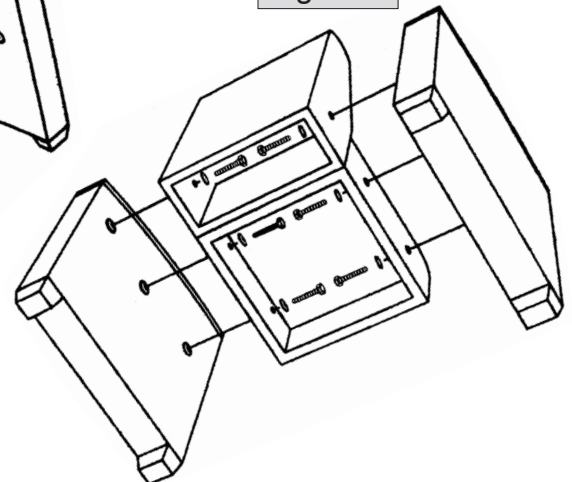


Figure 4



Align edges
when
tightening
bolts

1. Unpack and identify all parts.
2. Attach seat to back using 3" bolts and washers into threaded inserts as shown in figures 1 and 2. Align edges and tighten bolts securely.
3. Orient arms as shown in figure 3, paying attention to difference between left and right arms.
4. Attach arms to seat and back using 2" bolts and washers into threaded inserts as shown in figure 4. Start each bolt first, until all have caught a few threads, then finger tighten only. **Hint: start with bolts into back cushion first, followed by front seat bolt, then middle bolt last.**
5. Place chair upright on a level surface.
6. Tighten all bolts securely.
7. Your product is now assembled and ready to use.

Thank you for purchasing a Lesro product.
Need assistance with assembly? Call Lesro customer service 1-800-275-7545.
Visit us on-line at www.lesro.com



Leaders in Reception Seating

Lesro Industries, Inc.
1 Griffin Road South
Bloomfield, CT
06002

Phone
860.243.3226
Fax
860.243.5392
www.lesro.com

Assembly Instructions For Belmont, Brewster, Savoy & Somerset Series

Tools required: 9/16" ratchet

Note: These instructions are intended for various models and configurations. Your products may not look exactly as those shown in the diagrams.

Important: The assembly process requires that some hardware be kept loose until later in the sequence. Follow these instructions closely to ensure correct assembly.

Recommendation: Retighten all bolts on a seasonal basis to ensure your product remains strong and stable for many years of use.

Weight Capacity: All chairs in these series have a weight capacity of 400 lbs. per seat, unless otherwise stated.

Connecting Chairs with Center Arms

1. Follow steps 1 and 2 on opposite side of this sheet to attach each seat to each back. Align edges and tighten bolts securely.
2. Identify left, right, and center arm pieces. Center arms have bolt holes on both sides. Left and right arms have bolt holes on one side only.
3. Orient chairs and arms side-by-side as shown in figures 5 and 6.
4. Attach arms to each seat and back using 2" bolts and washers into threaded inserts as shown in figure 4 on opposite side of this sheet. Start each bolt first, until all have caught a few threads, then finger tighten only. **Hint: start with bolts into back cushion first, followed by front seat bolt, then middle bolt last.**
5. Place chair assembly upright on a level surface.
6. Tighten all bolts securely.
7. Your product is now assembled and ready to use.

Figure 5

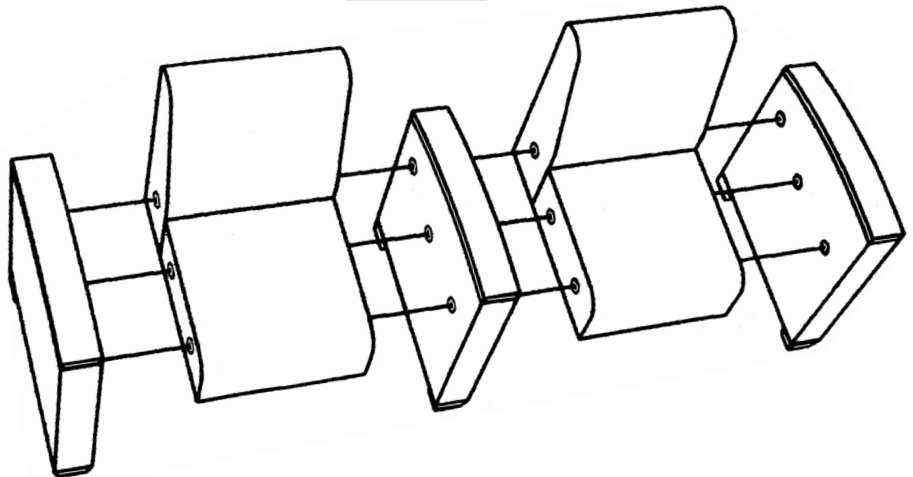
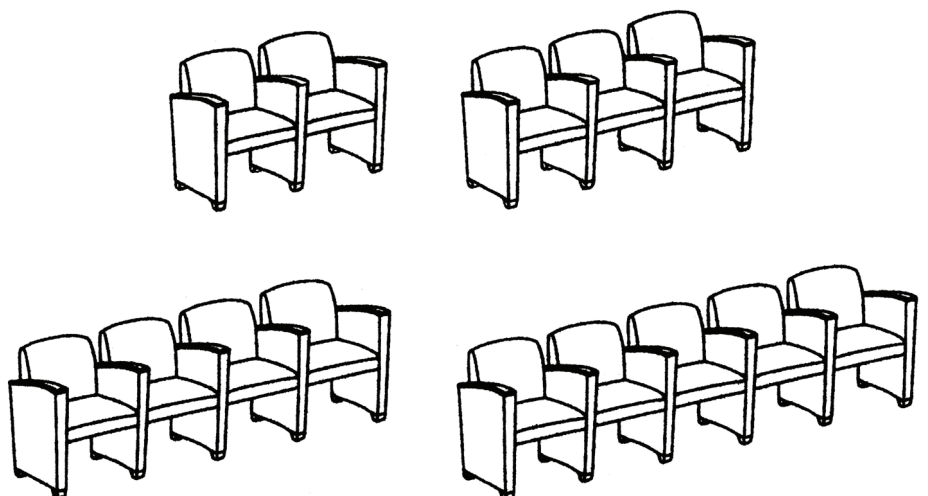


Figure 6



Thank you for purchasing a Lesro product.
Need assistance with assembly? Call Lesro customer service 1-800-275-7545.
Visit us on-line at www.lesro.com