



Leaders in Reception Seating

Lesro Industries, Inc.
1 Griffin Road South
Bloomfield, CT
06002

Phone 860.243.3226
Fax 860.243.5392
www.lesro.com

Assembly Instructions For Sheffield Connecting Center Table

Tools required: Phillips screwdriver and Allen Wrench (included in hardware pack).

Note: These instructions are intended for various models and configurations. Your product may not look exactly as shown in the diagrams.

Important: When moving table and chair assembly from one place to another, avoid putting excessive strain on connections or damage may occur. Use 2 or more people.

Recommendation: Retighten all bolts on a seasonal basis to ensure your product remains strong and stable for many years of use.

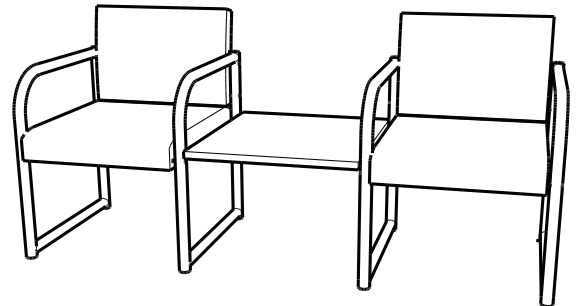
Weight Capacity: These tables are not intended for use as seats.

Parts List

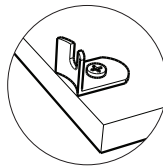
Tabletop

Hardware

Slotted Brackets, 4 pcs.
3/4" Phillips Bolts, 4 pcs.
Allen Wrench



1. Unpack and identify parts. Note: tabletop is interchangeable – no front or back.
2. Assemble chairs individually according to chair instructions before attaching table.
3. Place the tabletop upside down on a soft, clean surface to prevent scratches.
4. Attach slotted brackets using bolts into threaded inserts, as shown in figure 1. Be sure brackets are flush with edge of tabletop. Keep bolts slightly loose for now.
5. Position chairs about 2 feet apart.
6. Using an Allen wrench, loosen the seat cushion bolts just enough that the heads stick out about 1/4" on facing sides of both chairs.
7. Set tabletop between chairs, as shown in figure 2. The slotted brackets should slide onto the bolts from step 6.
8. Press down on tabletop until bolts are fully inserted into each of the bracket slots. Tighten all bolts securely, including bracket bolts from step 4 and seat cushion bolts from step 6.
9. Your product is now assembled and ready to use.



Brackets
flush to edge

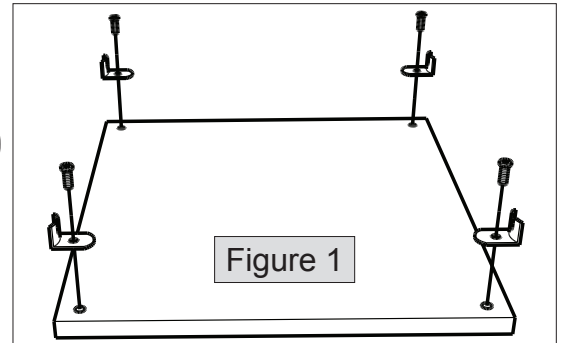
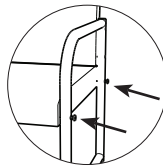


Figure 1



Loosen
seat bolts

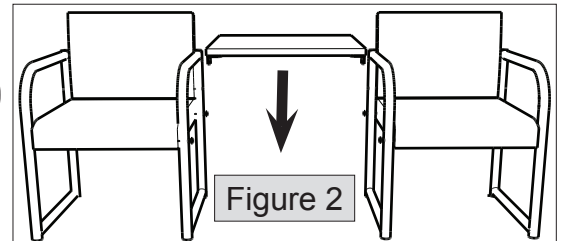


Figure 2

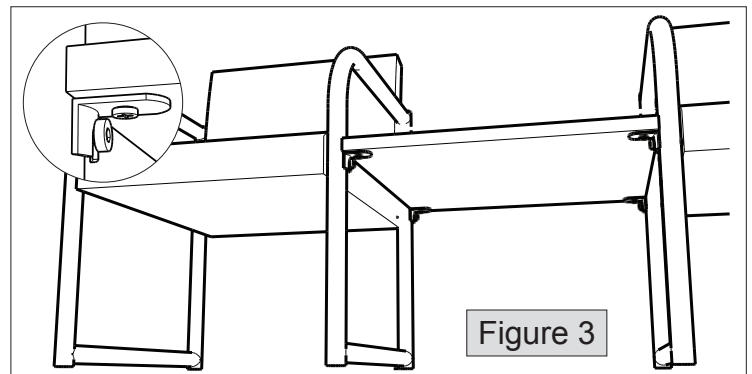


Figure 3

Thank you for purchasing a Lesro product.
Need assistance with assembly? Call Lesro customer service 1-800-275-7545.
Visit us online at www.lesro.com