



Leaders in Reception Seating

Lesro Industries, Inc.
1 Griffin Road South
Bloomfield, CT
06002

Phone
860.243.3226
Fax
860.243.5392
www.lesro.com

Assembly Instructions For Sheffield Guest Chair

Tools required: Allen Wrench (included in hardware pack).

Note: These instructions are intended for various models and configurations. Your product may not look exactly as shown in the diagrams.

Recommendation: Retighten all bolts on a seasonal basis to ensure your product remains strong and stable for many years of use.

Weight Capacity: All chairs in this series have a weight capacity of 275 lbs.

Parts List

Seat Cushion
Back Cushion
Leg Frames, 2 pcs.

Hardware

2" Allen Bolts, 8 pcs.
Allen Wrench

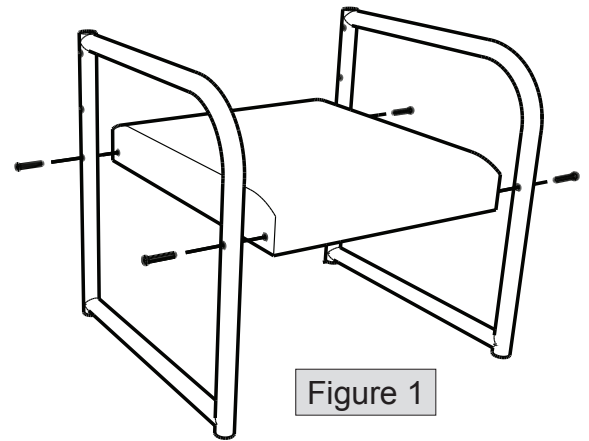
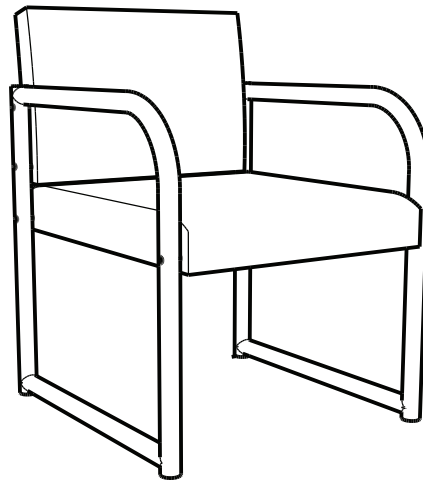


Figure 1

1. Unpack and identify all parts.
Note: The leg frames are interchangeable – no left or right.
2. Connect seat cushion to leg frames using Allen bolts, as shown in figure 1. The white tag on the bottom of the seat cushion faces back. Keep bolts slightly loose for now.
3. Connect back cushion to leg frames using Allen bolts, as shown in figure 2. Push down on back cushion as necessary to align holes.
4. Tighten all bolts securely at this time.
5. Your product is now assembled and ready to use.

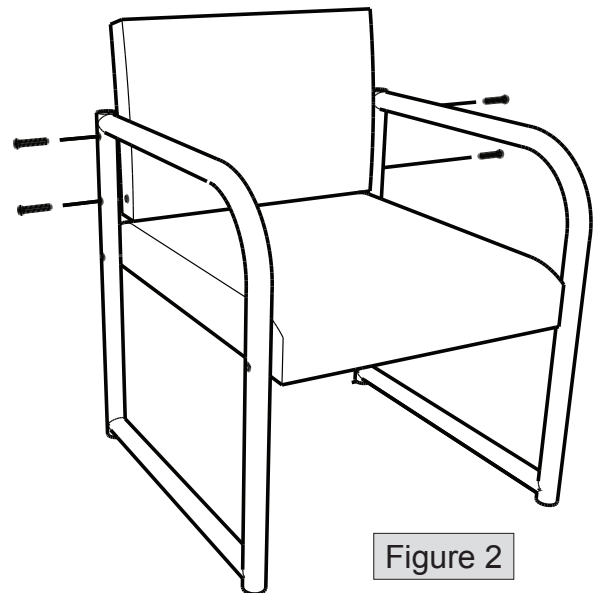


Figure 2

Thank you for purchasing a Lesro product.
Need assistance with assembly? Call Lesro customer service 1-800-275-7545.
Visit us online at www.lesro.com