



Leaders in Reception Seating

Lesro Industries, Inc.
1 Griffin Road South
Bloomfield, CT
06002

Phone 860.243.3226
Fax 860.243.5392
www.lesro.com

Assembly Instructions For Bristol & Sheffield Ganging Brackets

Tools required: Allen wrench (included in hardware pack)

Note: These instructions are intended for various models and configurations. Your product may not look exactly as shown in the diagrams.

Important: When moving chair assemblies from one place to another, avoid putting excessive strain on connections or damage may occur. Use 2 or more people.

Recommendation: Retighten all bolts on a seasonal basis to ensure your product remains strong and stable for many years of use.

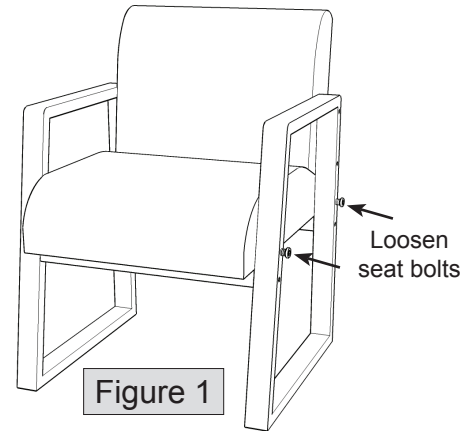
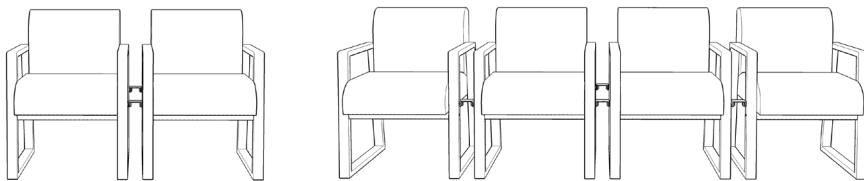


Figure 1

Parts List
Ganging Brackets, 2 pcs.
Allen wrench

1. Unpack and identify parts.
2. Assemble chairs individually according to chair instructions before connecting chairs together.
3. Position chairs about 2 feet apart.
4. Using an Allen wrench, loosen the seat cushion bolts just enough that the heads stick out about 1/4" on facing sides of both chairs, as shown in figure 1. (Loosen the second bolts from the bottom, not the bottom bolts.)
5. Attach the 2 ganging brackets to one of the chairs, as shown in figure 2. Tighten bolts securely.
6. Pull the chairs together and attach the ganging brackets to the second chair. This will require lifting the first chair a few inches so that the slots in the brackets slide over the chair bolts.
7. With the legs for both chairs resting on a level floor, tighten the bolts in the second chair securely.
8. Repeat steps to gang additional chairs together.
9. Your product is now assembled and ready to use.

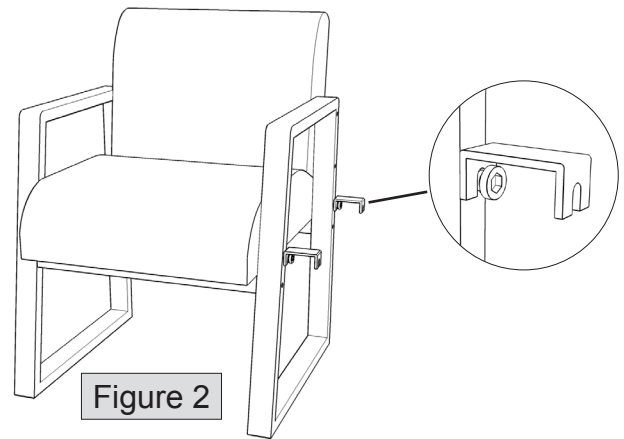


Figure 2

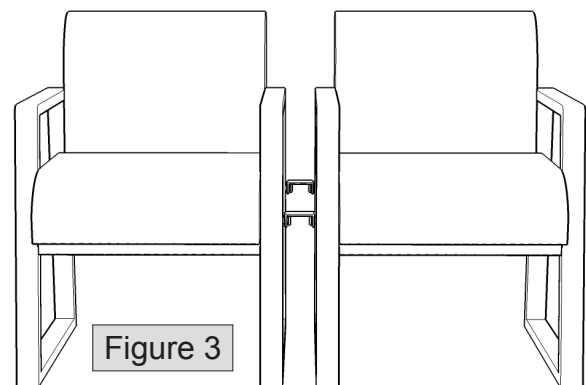


Figure 3

Thank you for purchasing a Lesro product.
Need assistance with assembly? Call Lesro customer service 1-800-275-7545.
Visit us on-line at www.lesro.com