



Leaders in Reception Seating

Lesro Industries, Inc.  
1 Griffin Road South  
Bloomfield, CT  
06002

Phone  
860.243.3226  
Fax  
860.243.5392  
www.lesro.com

# Assembly Instructions For Newport Corner Connecting Table

**Tools required:** Phillips screwdriver, Allen wrench (included in hardware pack).

**Note:** These instructions are intended for various models and configurations. Your products may not look exactly as those shown in the diagrams.

**Important:** The assembly process requires that some hardware be kept loose until later in the sequence. Follow these instructions closely to ensure correct assembly.

**Recommendation:** Retighten all bolts on a seasonal basis to ensure your product remains strong and stable for many years of use.

**Weight Capacity:** These tables are not intended for use as seats.

## Parts List

Tabletop  
Connecting Brackets, Front, 2 pcs.  
Connecting Brackets, Back, 2 pcs.  
Table Leg  
5/8" Phillips Screws, 18 pcs.  
Allen Wrench

1. Unpack and identify parts.
2. Assemble chairs individually according to chair instructions before attaching connecting table.
3. Use an Allen wrench to loosen the seat cushion bolts on facing sides of both chairs, as shown in figure 1.
4. Attach the front and back brackets to both chairs. With bolt inserted fully into slot, as shown in figure 2, retighten bolts securely.
5. Place the tabletop upside down on a soft, clean surface to prevent scratching.
6. Attach table leg to tabletop using Phillips screws into pre-drilled holes, as shown in figure 3. Tighten screws securely, using care not to strip.
7. Pull chairs together and rest tabletop on brackets, as shown in figure 4.
8. Attach tabletop to brackets using Phillips screws into pre-drilled holes, as shown in figure 5. Once all 8 screws are started, tighten securely, using care not to strip.
9. Check that chairs are square to one another and table edges are parallel to seat edges. Insert Phillips screws through brackets into bottom of seat cushions, as shown in fig 6. Tighten securely, using care not to strip.
10. Your product is now assembled and ready to use.

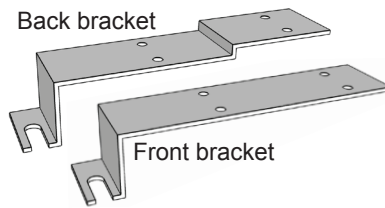
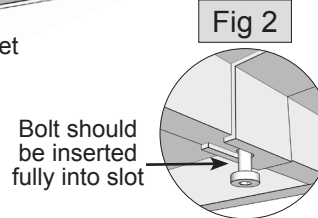
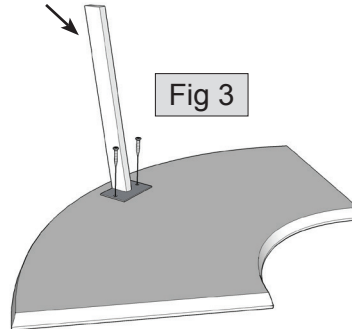
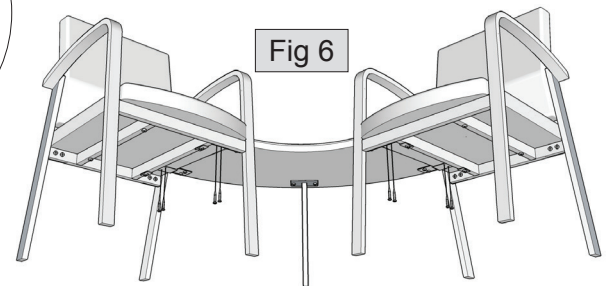
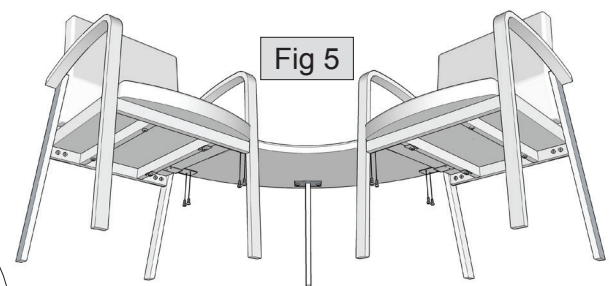
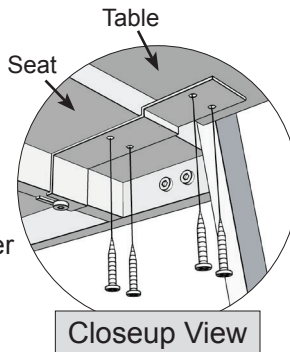
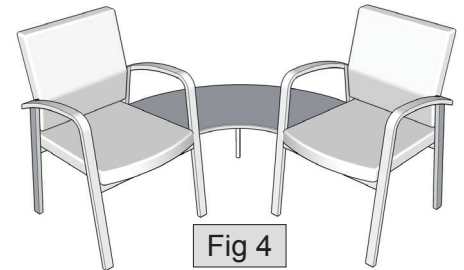
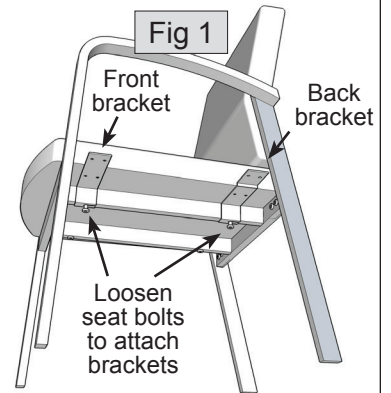


Table leg angles to the back



Bolt should be inserted fully into slot



Thank you for purchasing a Lesro product.  
Need assistance with assembly? Call Lesro customer service 1-800-275-7545.  
Visit us online at [www.lesro.com](http://www.lesro.com)