



Leaders in Reception Seating

Lesro Industries, Inc.
1 Griffin Road South
Bloomfield, CT
06002

Phone
860.243.3226
Fax
860.243.5392
www.lesro.com

Assembly Instructions For Sheffield End, Corner, and Coffee Tables

Tools required: Allen Wrench (included in hardware pack).

Note: These instructions are intended for various models and configurations. Your product may not look exactly as shown in the diagrams.

Recommendation: Retighten all bolts on a seasonal basis to ensure your product remains strong and stable for many years of use.

Weight Capacity: These tables are not intended for use as seats.

Parts List

Tabletop
Legs Frames, 2 pcs.
Upper Cross Tubes, 2 pcs.
Lower Cross Tube
Leg Frames, 2 pcs.

Hardware

2" Allen Bolts, 10 pcs.
Allen Wrench

1. Unpack and identify all parts. The upper cross tubes each have 2 through-holes. The lower cross tube has no through-holes. Note also the leg frames are interchangeable – no left or right.
2. Connect upper and lower cross tubes between leg frames using Allen bolts, as shown in figure 1. Keep all bolts loose for now.
3. Place the tabletop on the upper cross tubes, align holes, and attach using Allen bolts, as shown in figure 2. Tighten bolts securely.
4. Tighten all cross tube bolts from step 2 securely at this time.
5. Your product is now assembled and ready to use.

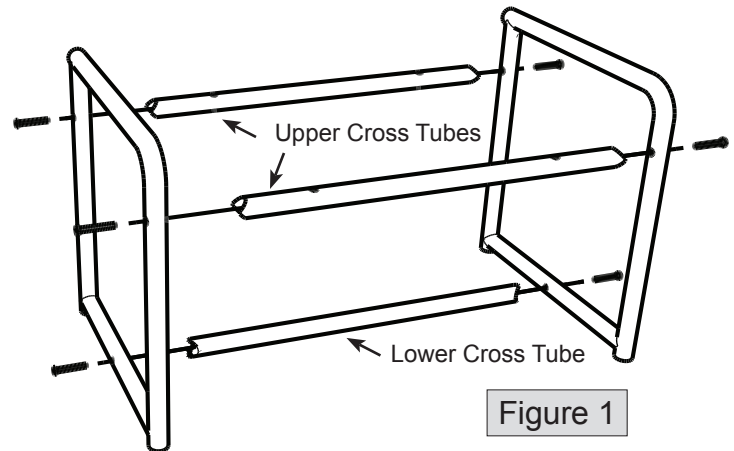
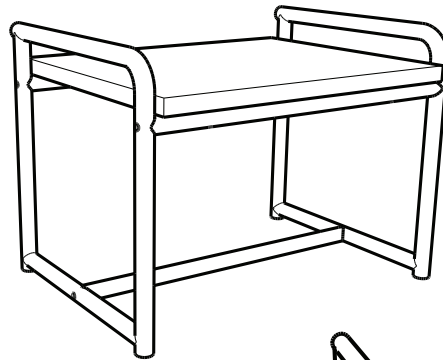


Figure 1

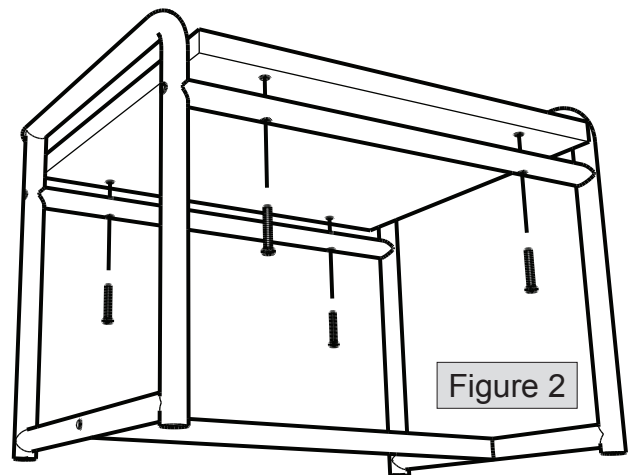


Figure 2

Thank you for purchasing a Lesro product.
Need assistance with assembly? Call Lesro customer service 1-800-275-7545.
Visit us online at www.lesro.com